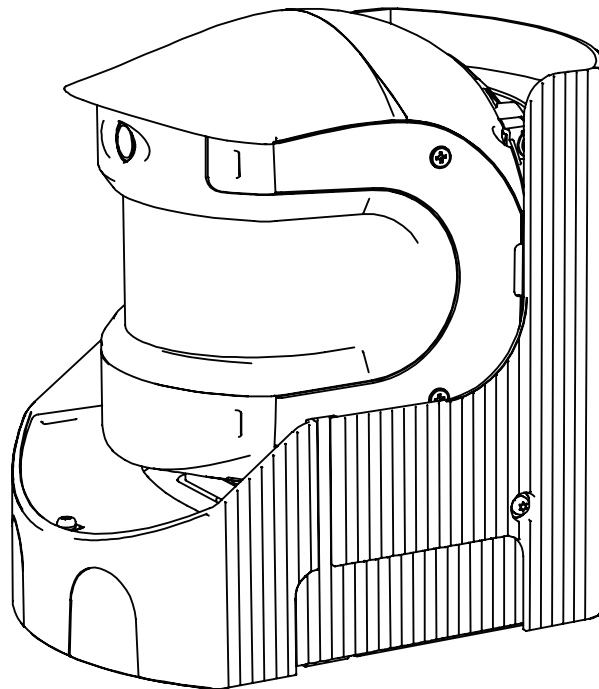
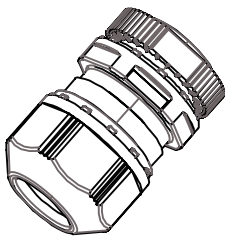
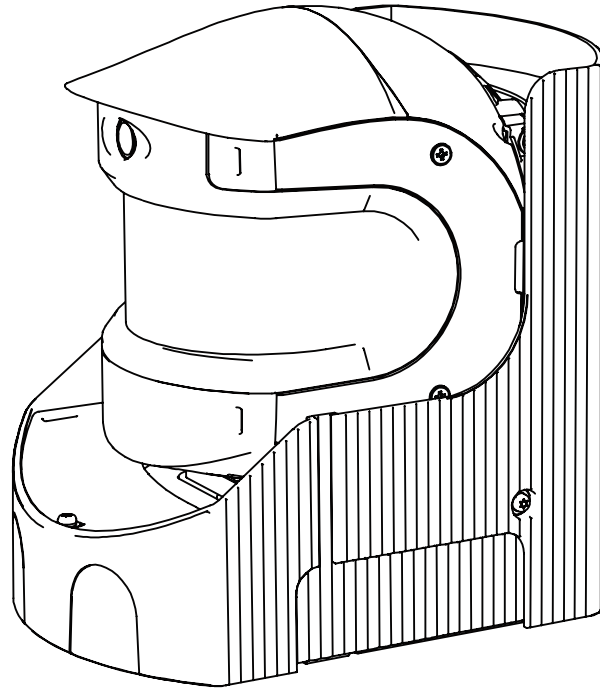


REDSKAN Pro

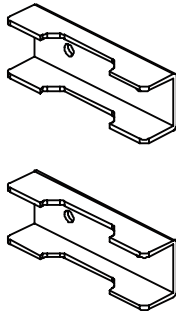
RLS-50100V/RLS-3060V



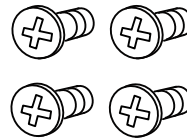
To find out useful hints, tips and information about OPTEx products and services, please visit www.optex.net



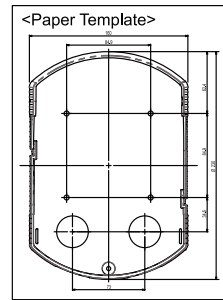
1x



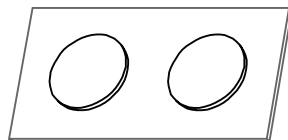
2x



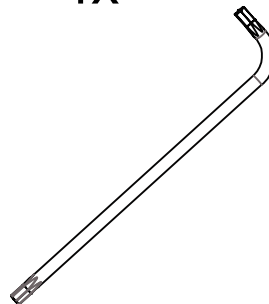
4x



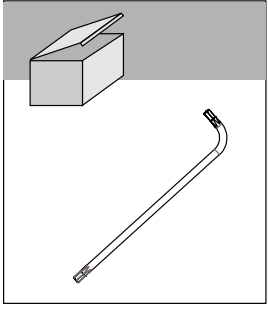
1x



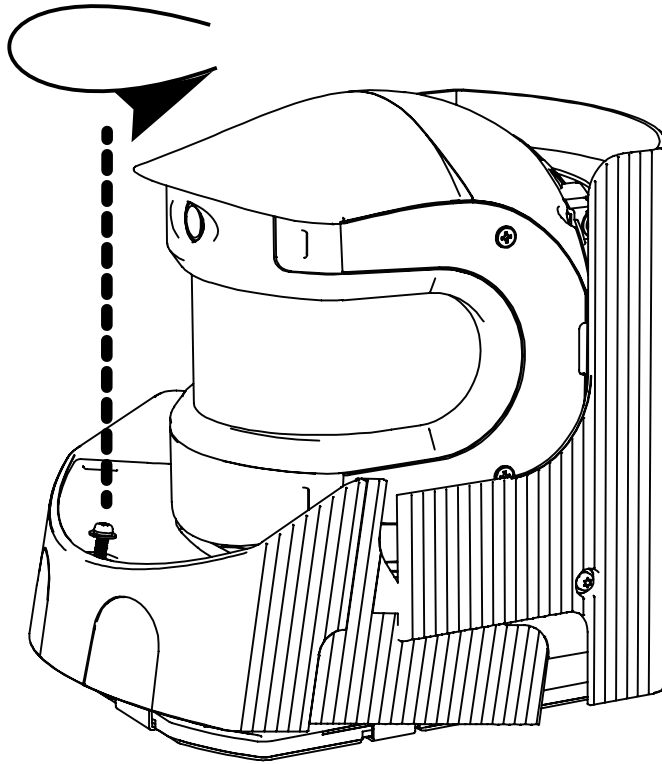
1x

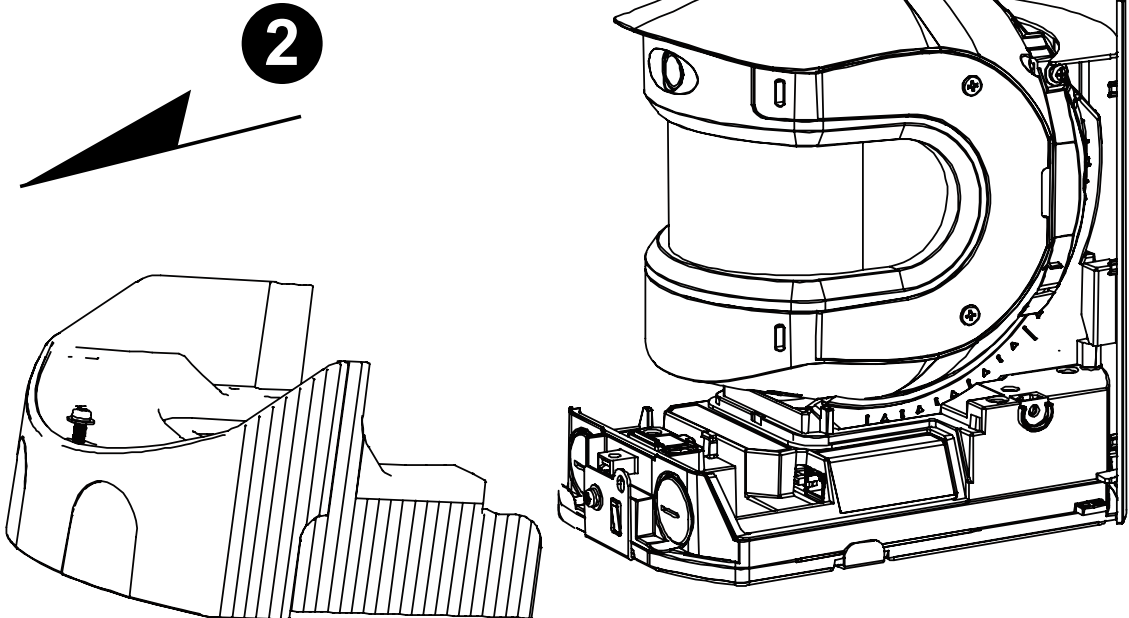


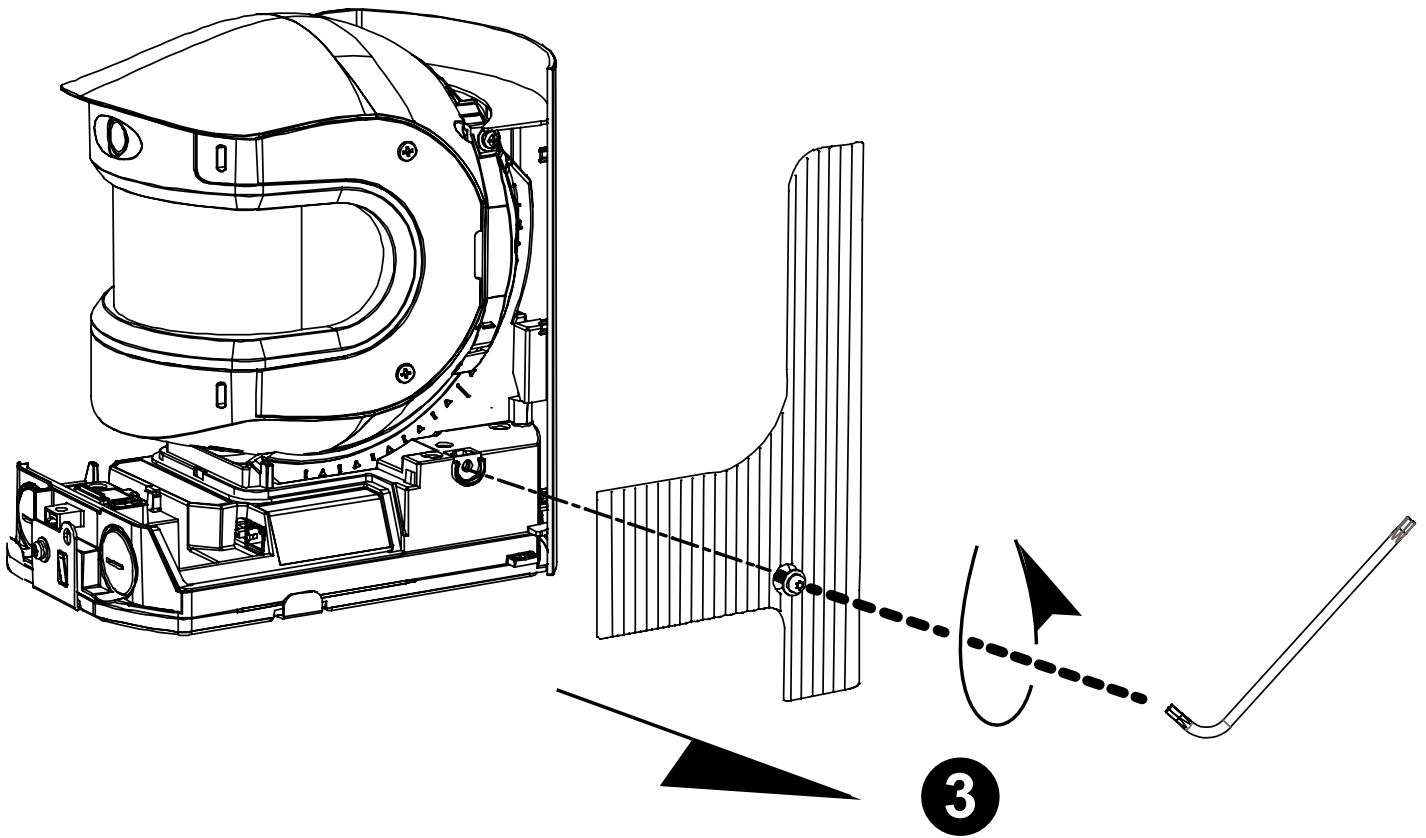
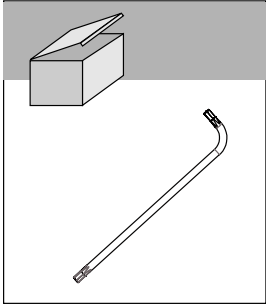
1x

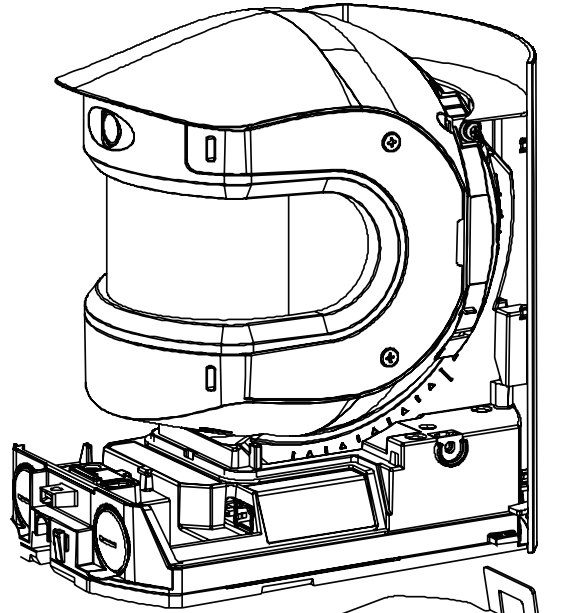
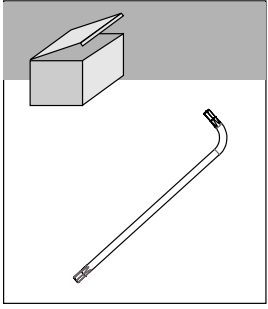


1

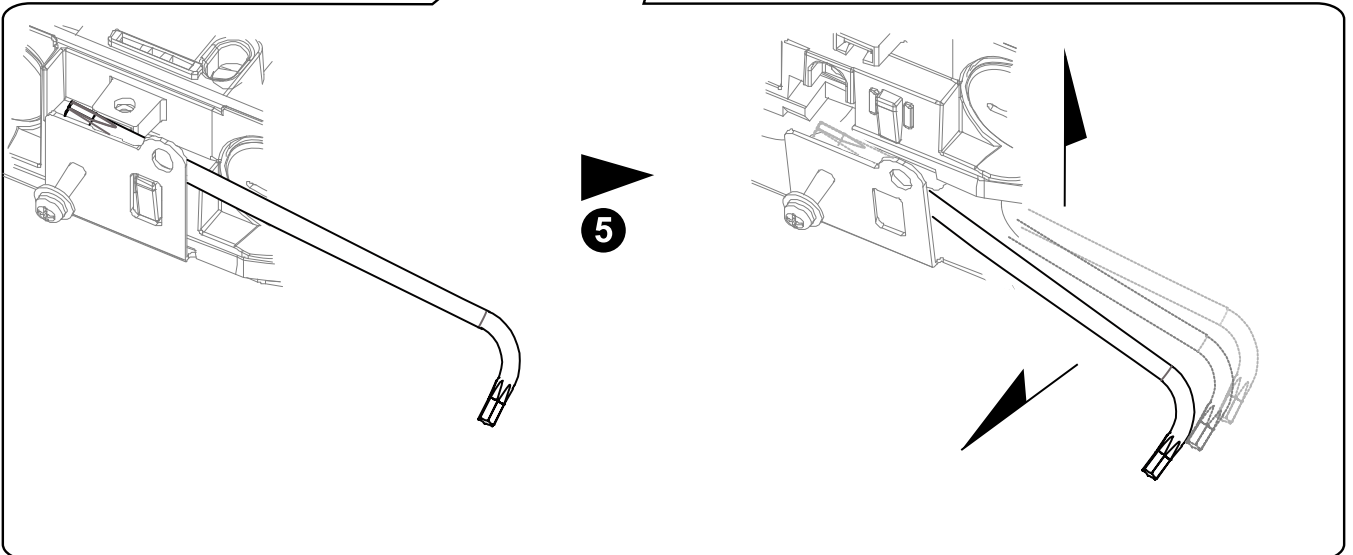
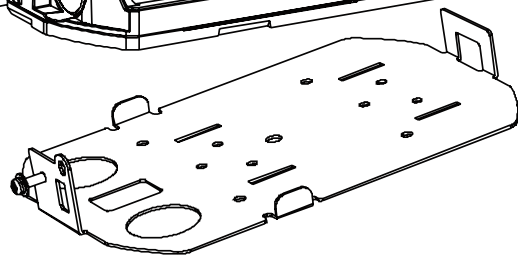
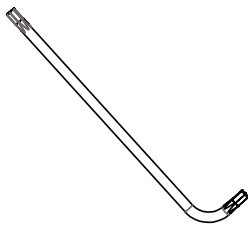




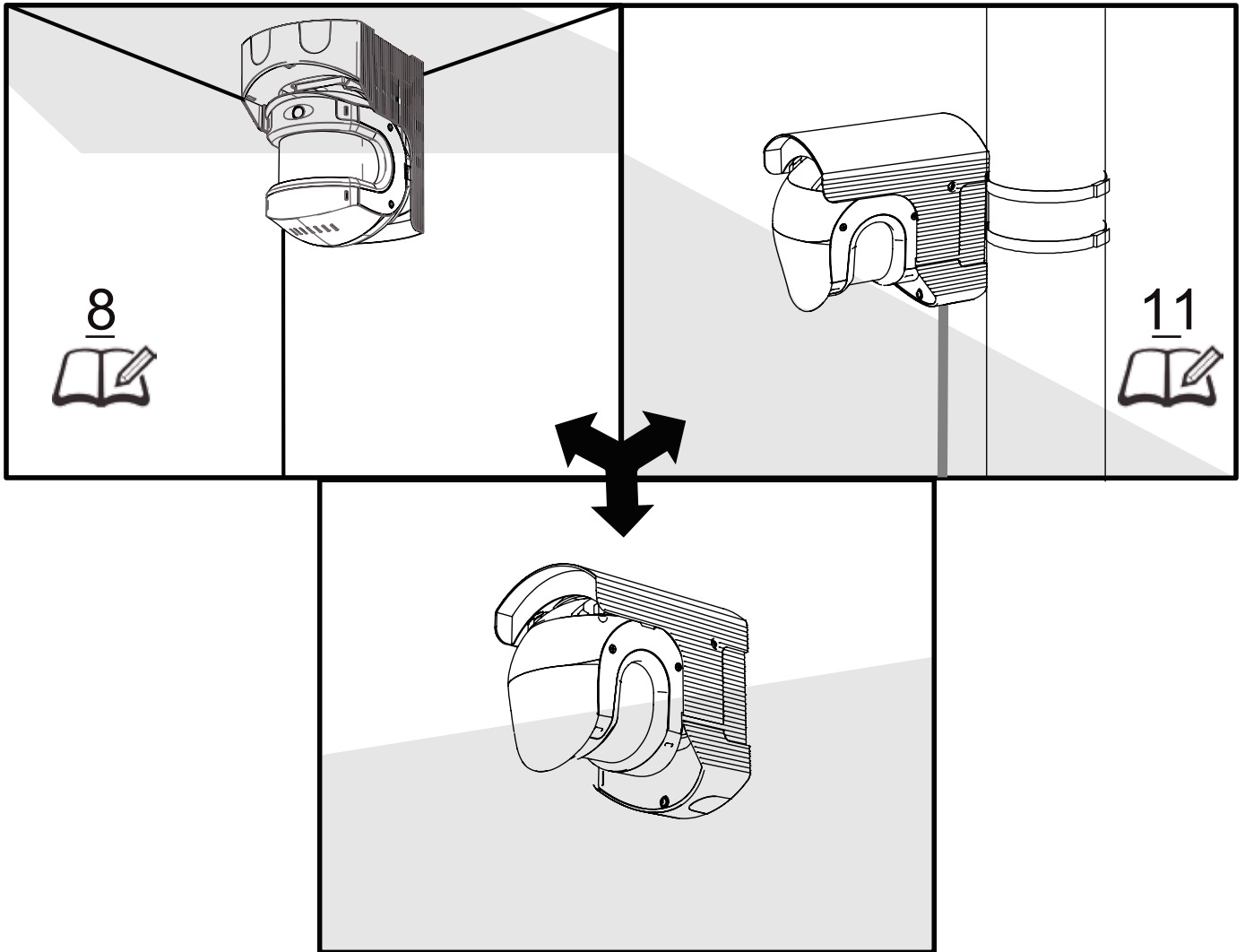


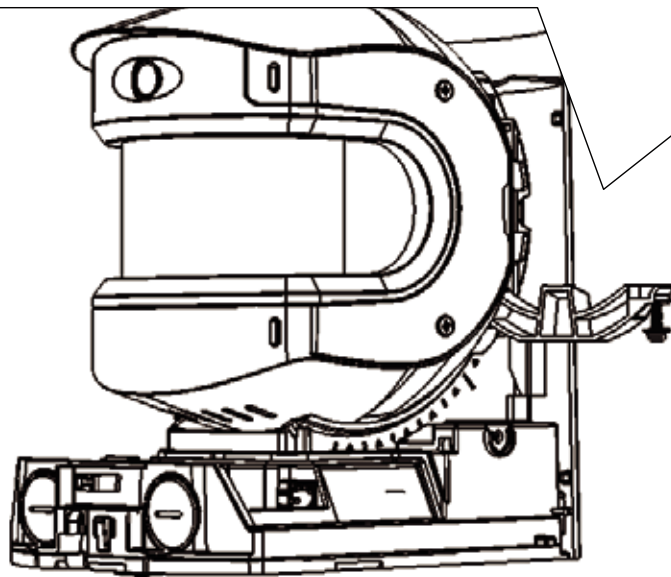
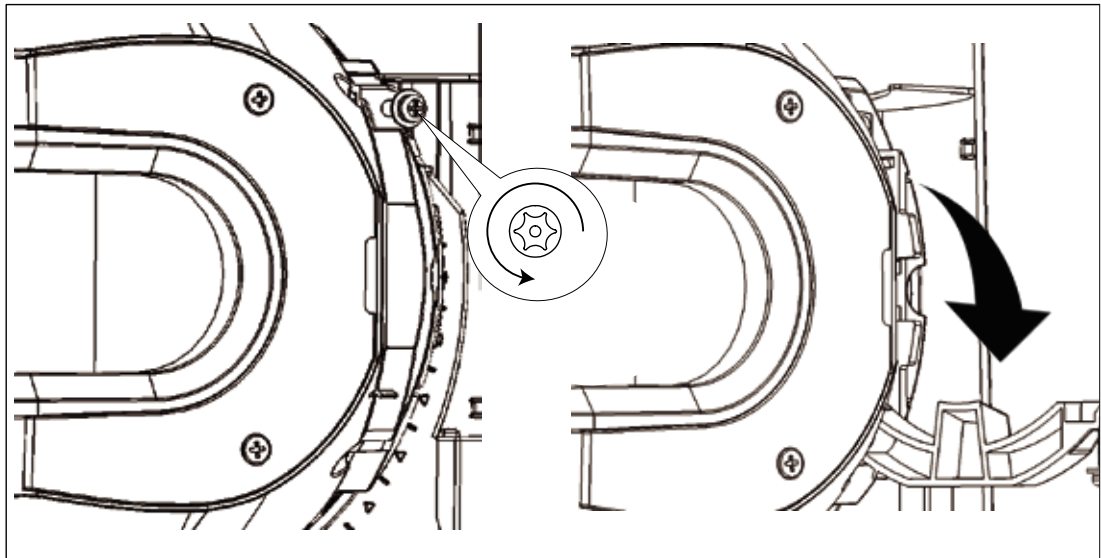
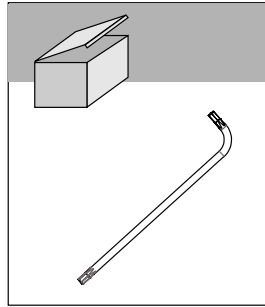
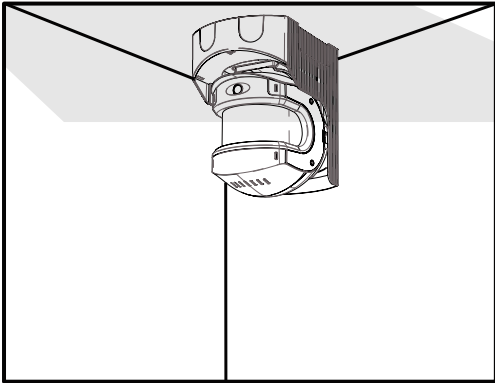


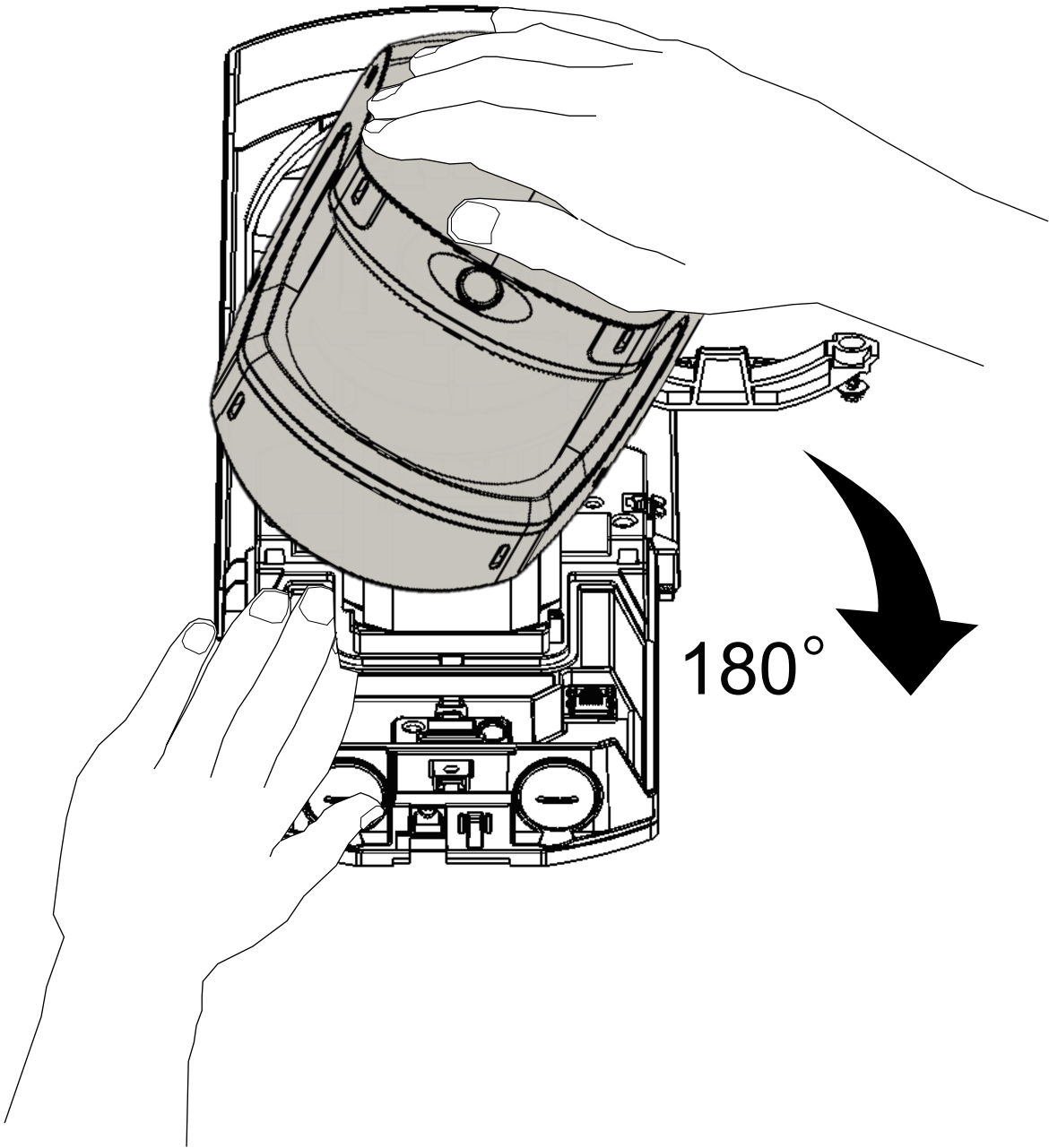
4

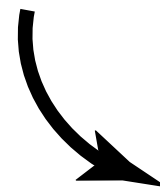
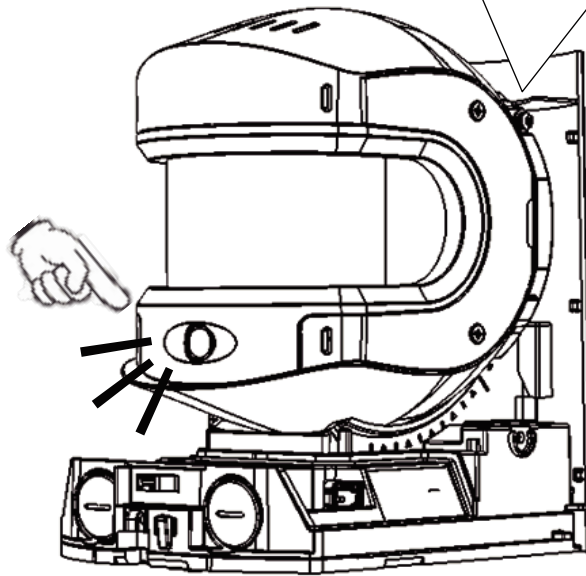
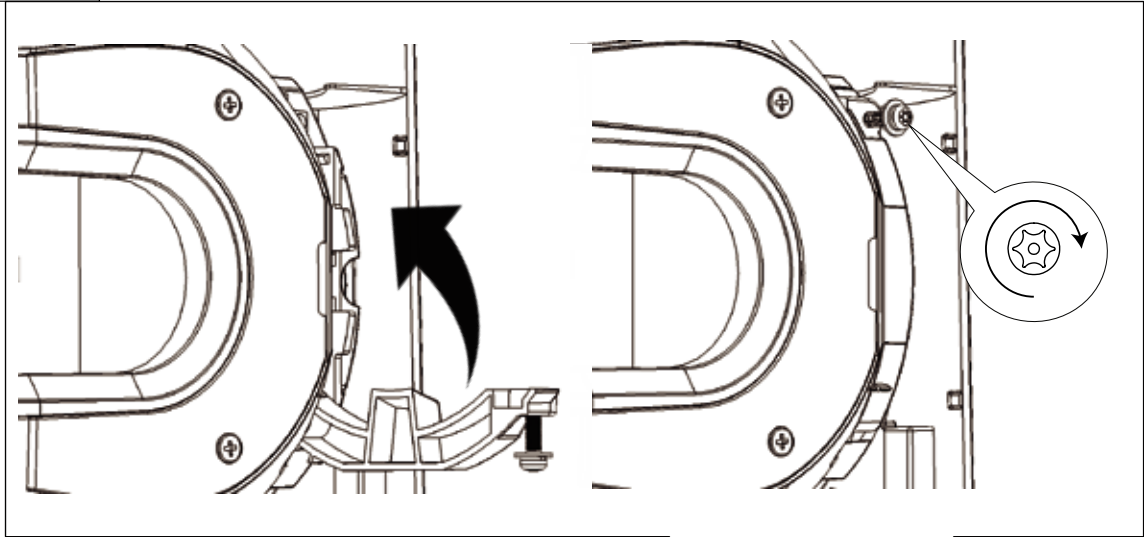
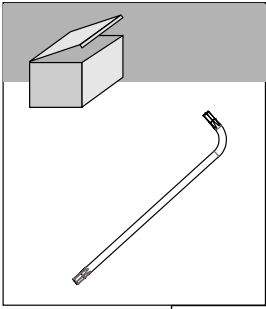


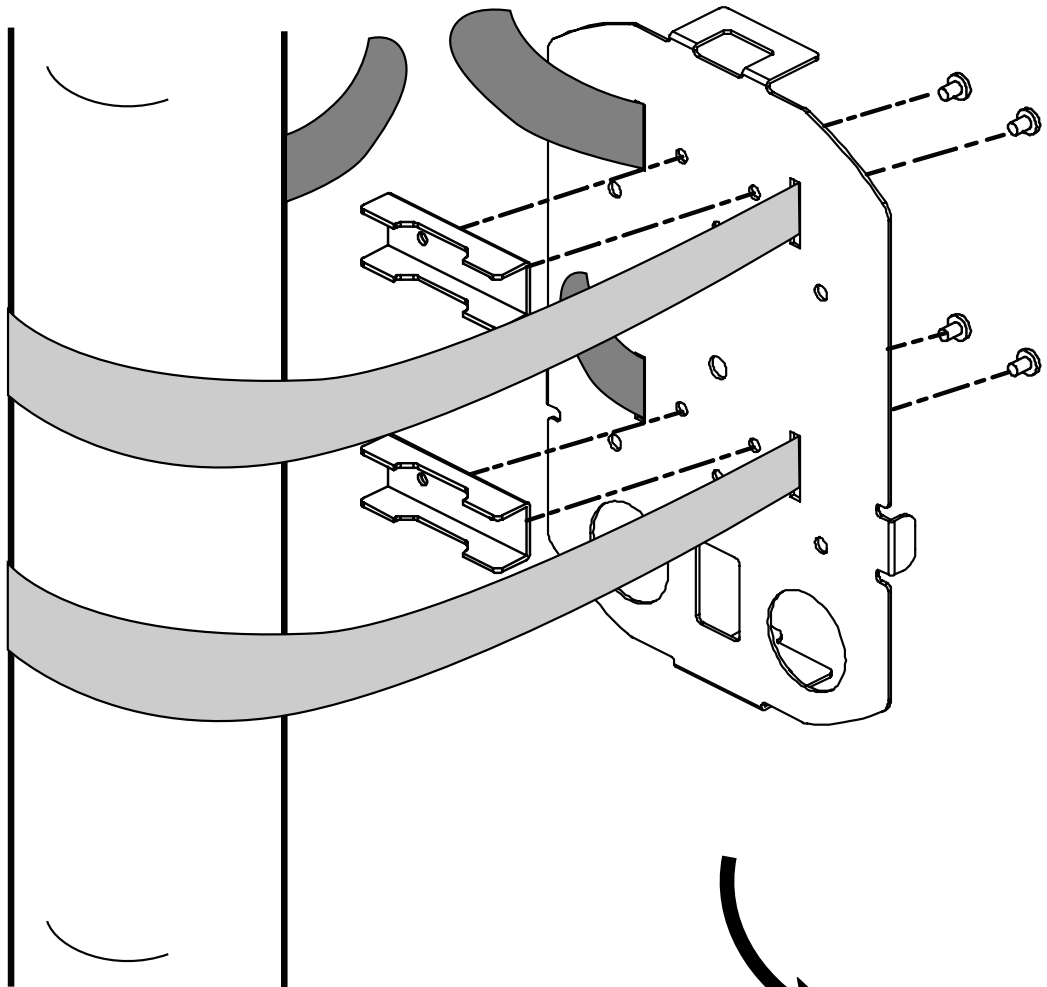
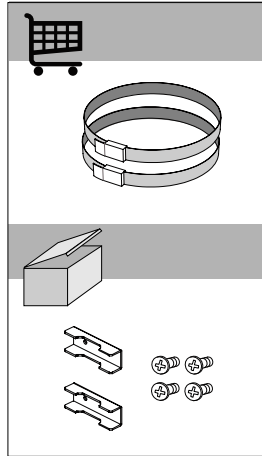
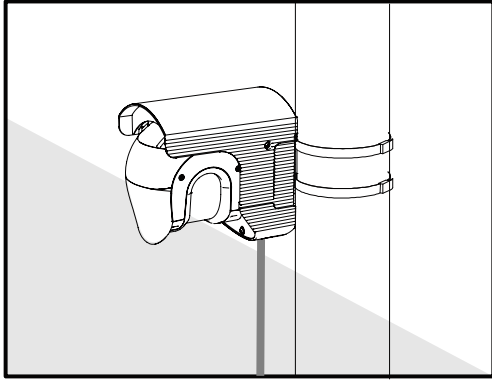
5

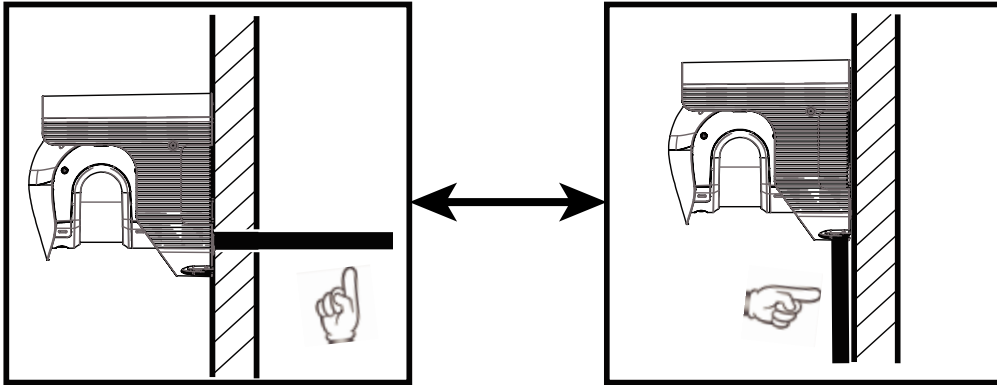


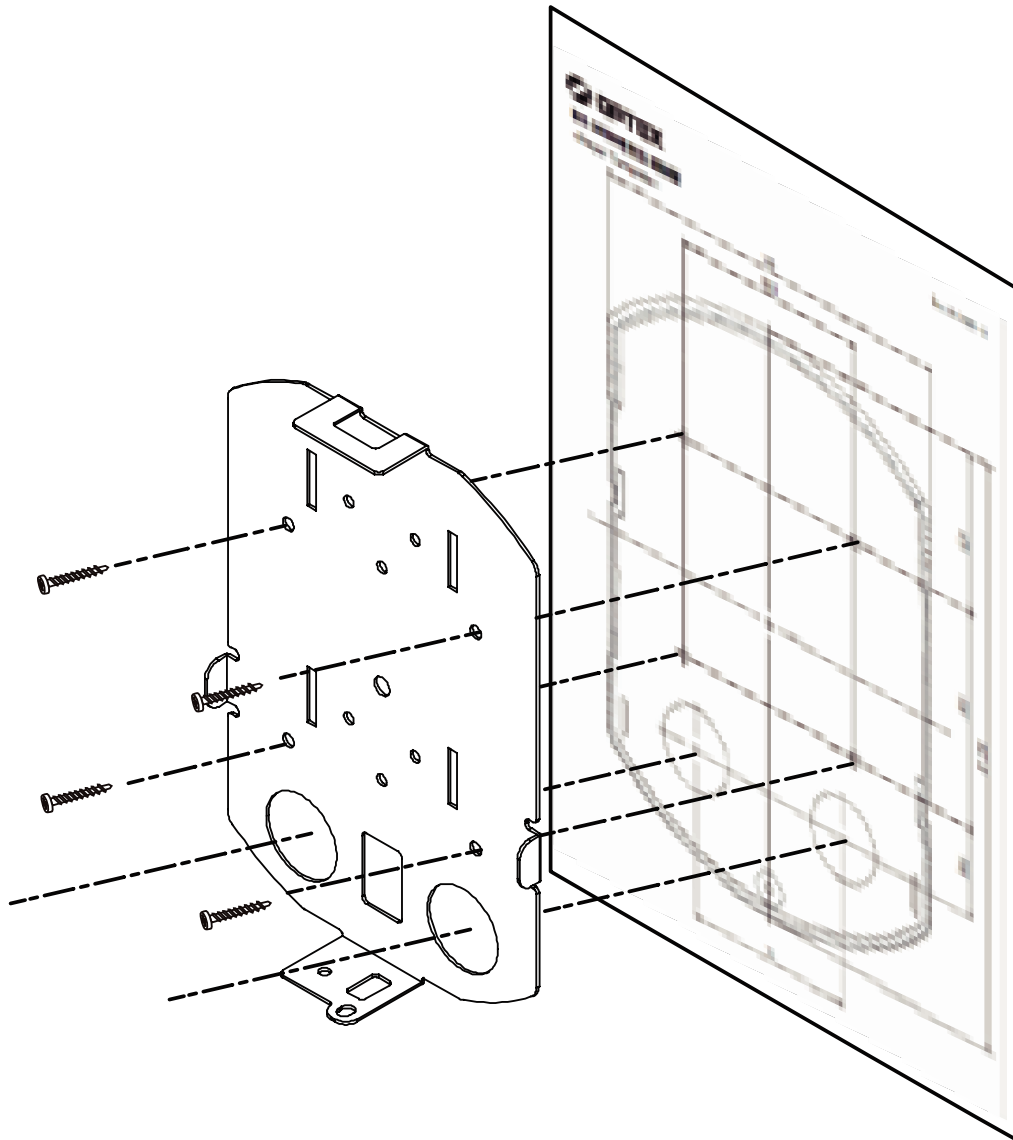
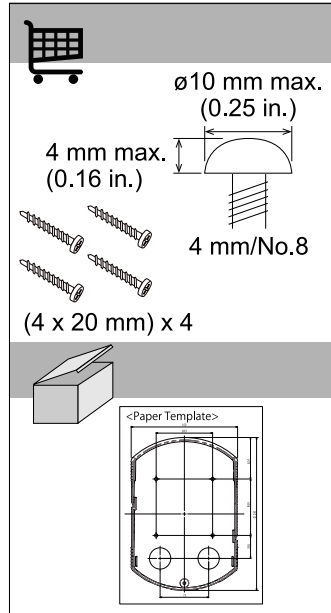
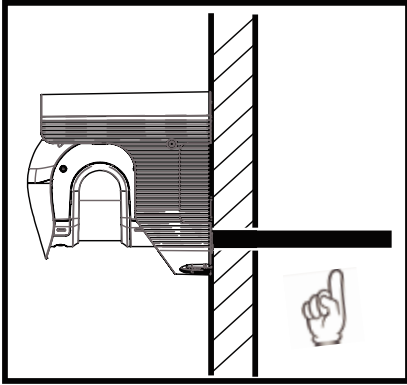


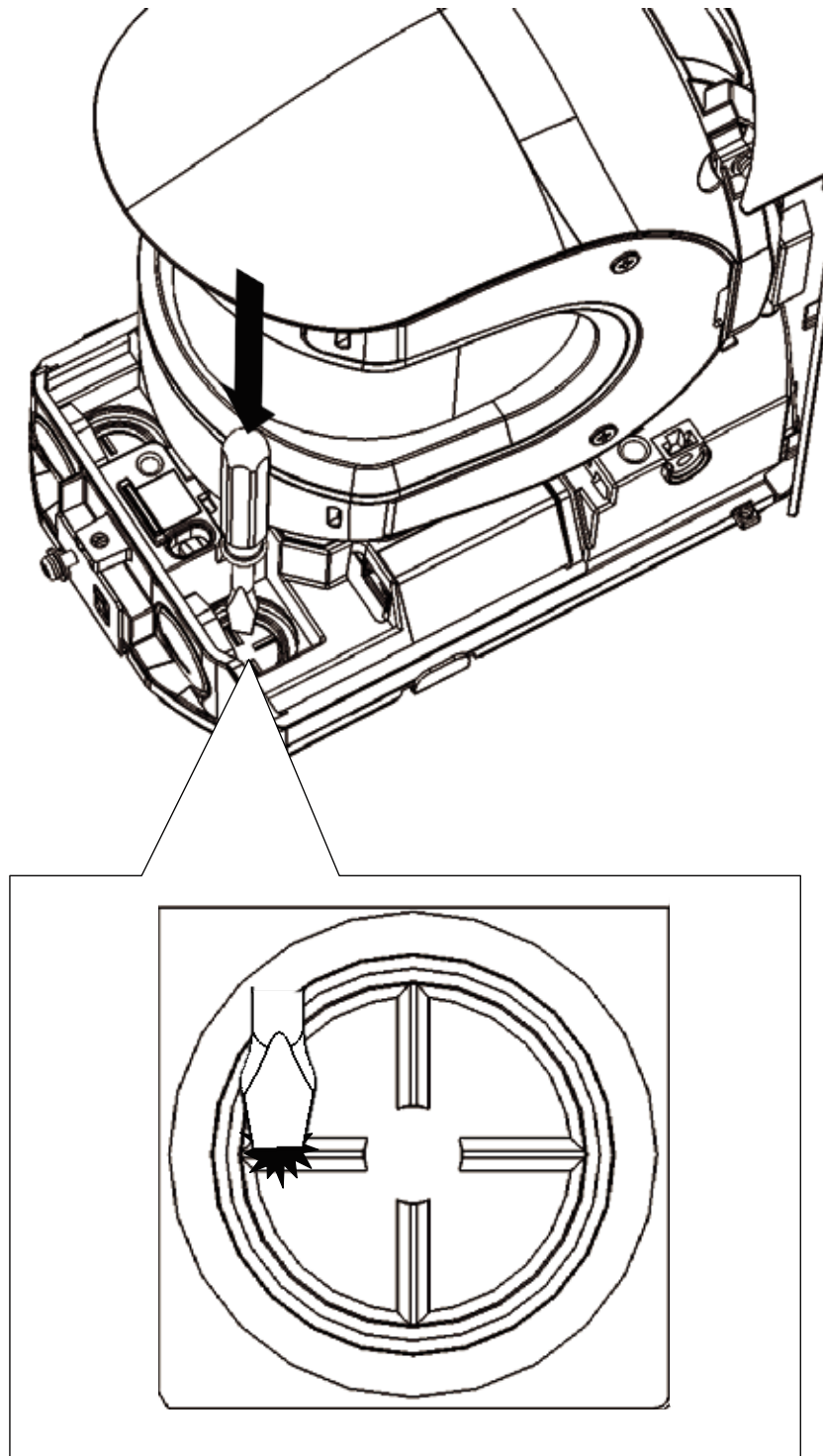


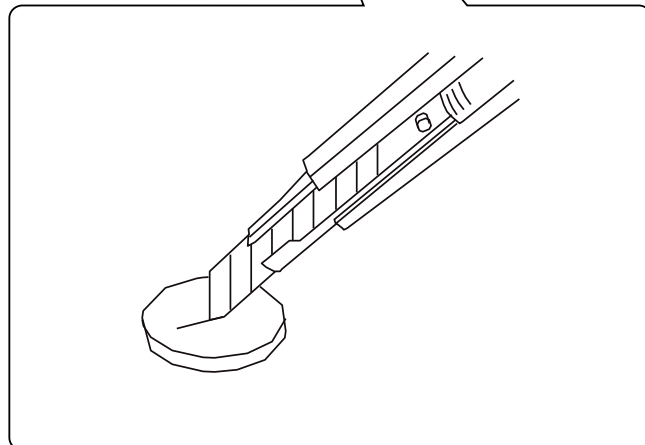
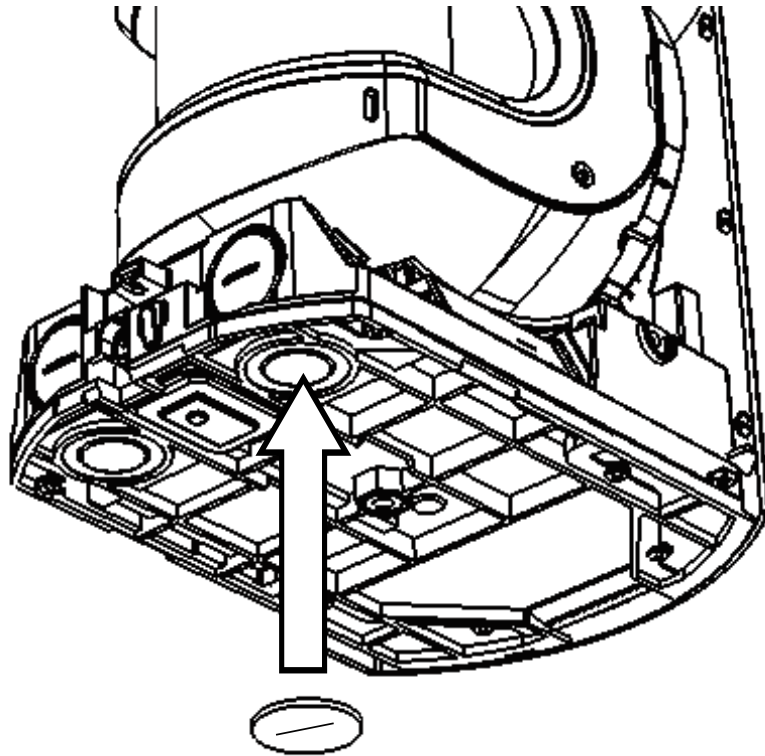
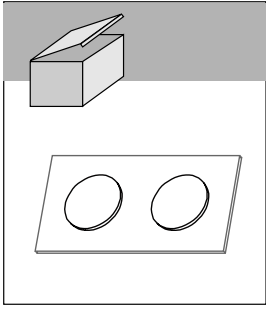


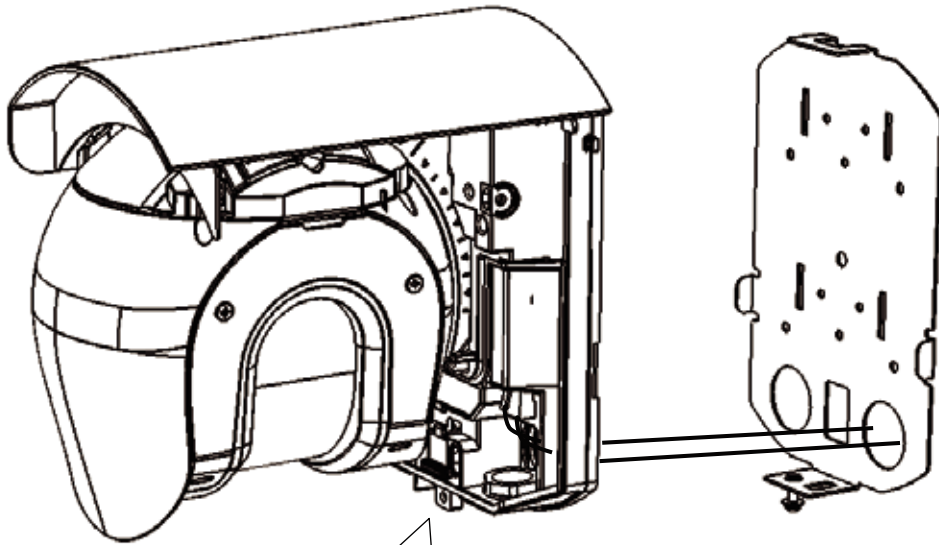




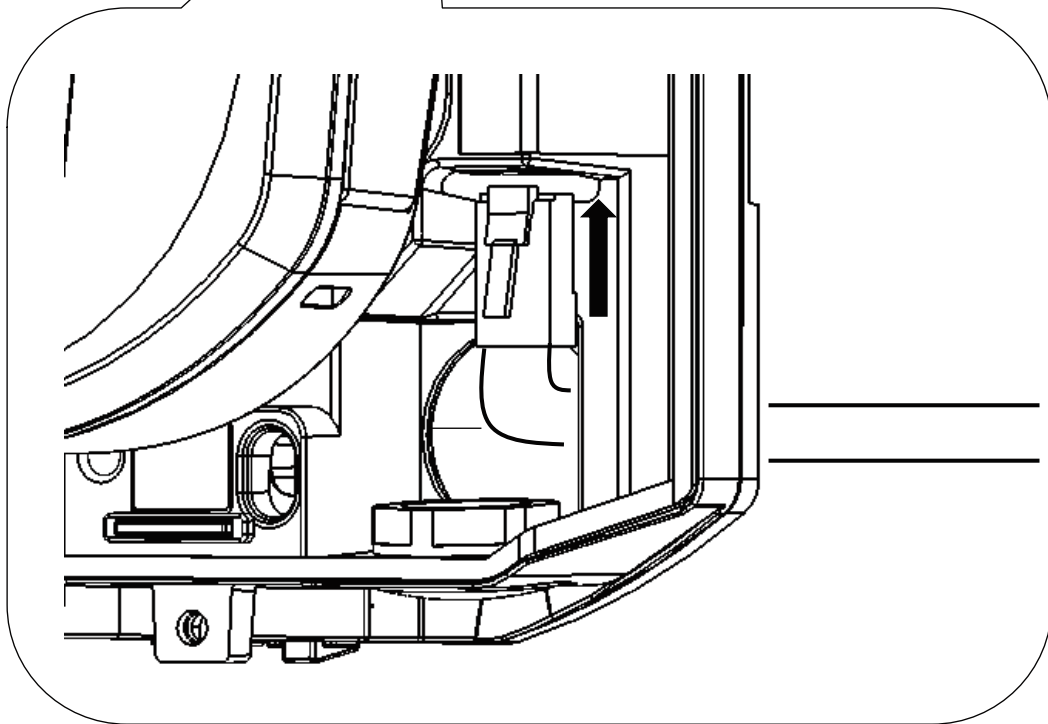


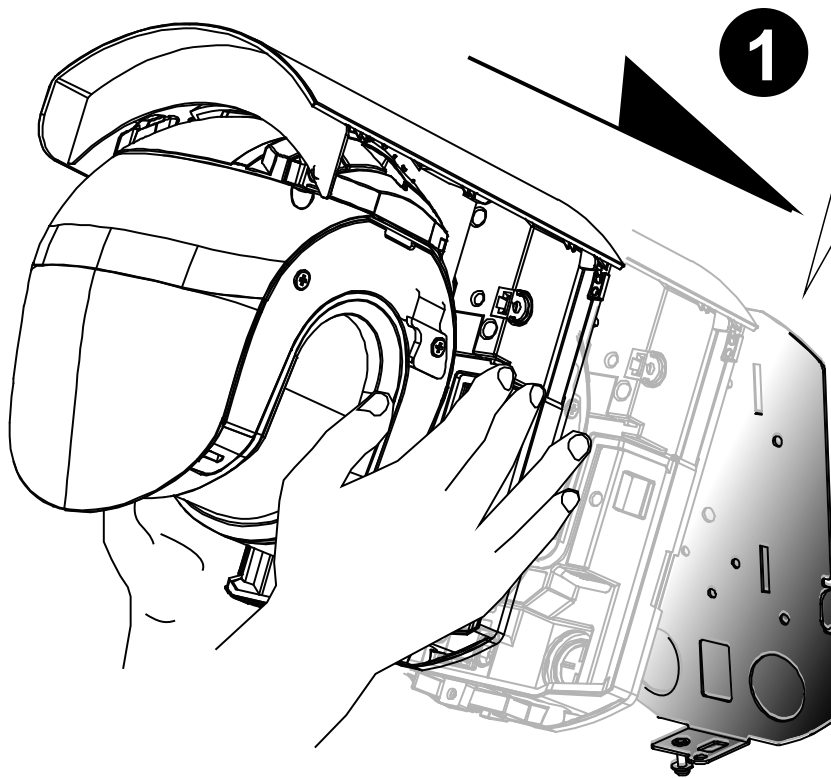
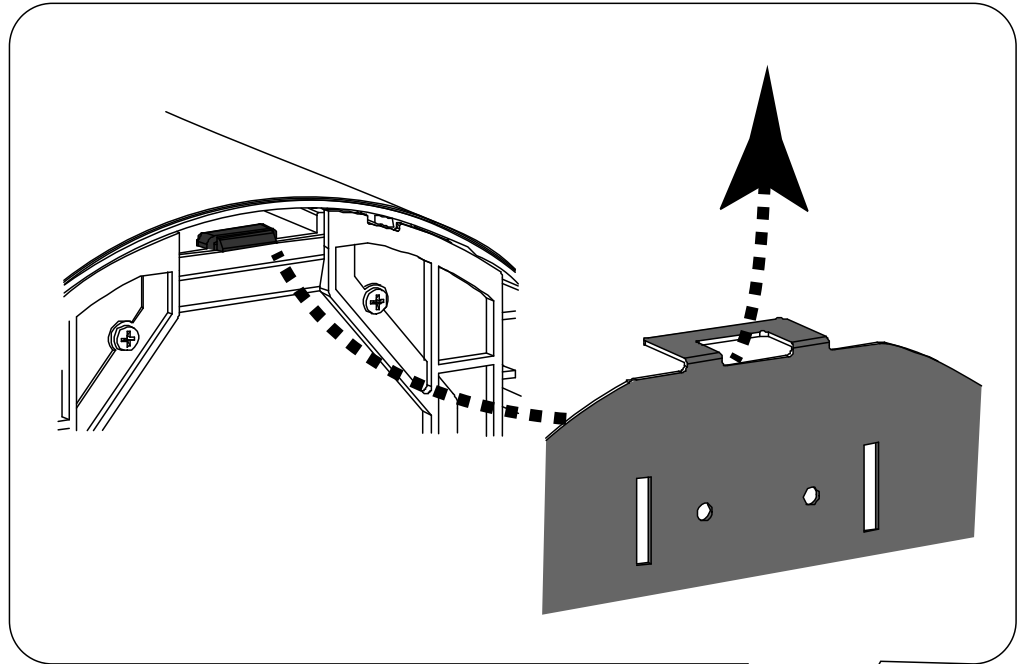


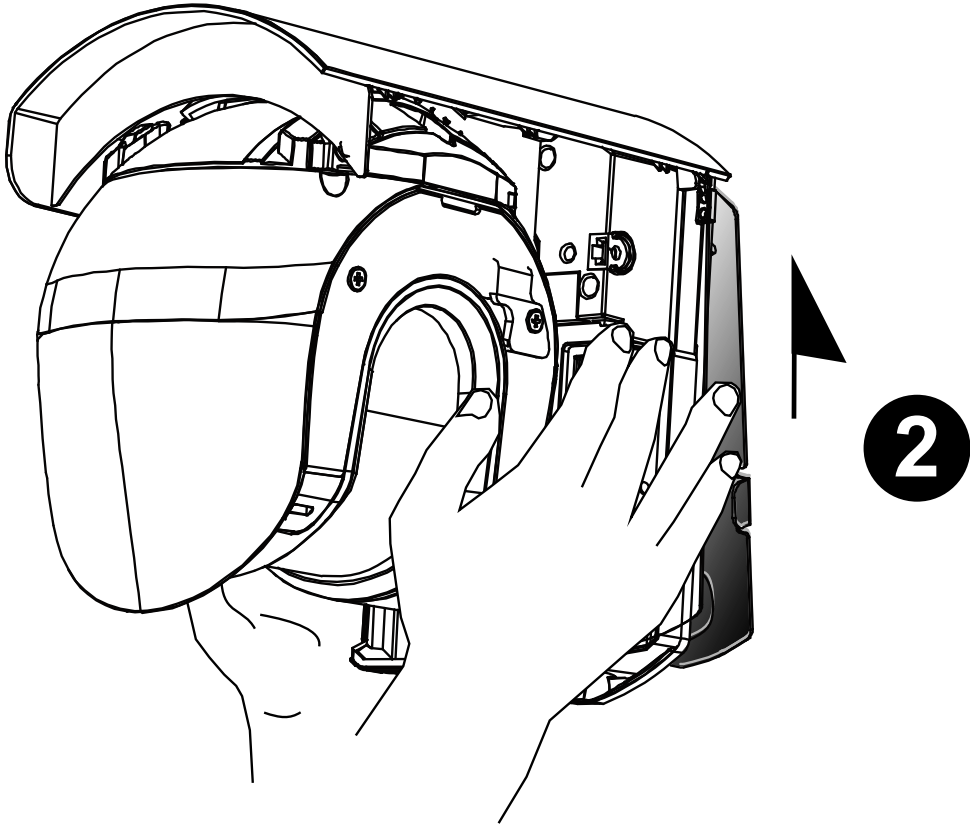


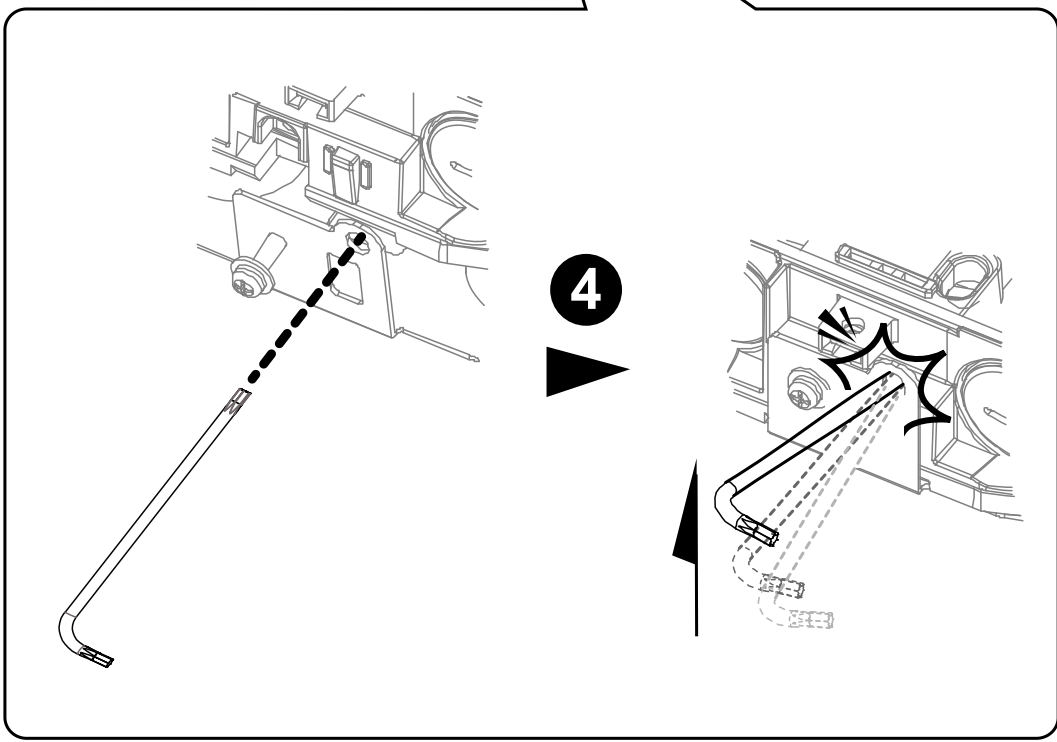
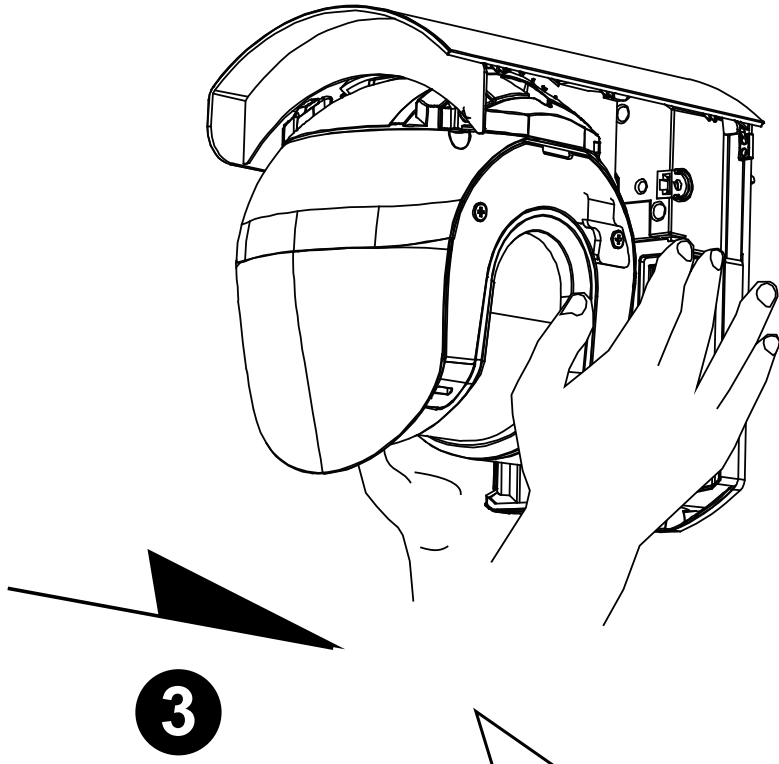
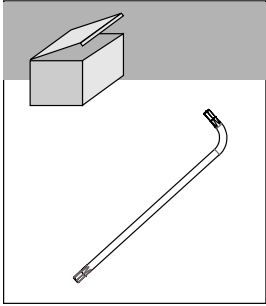


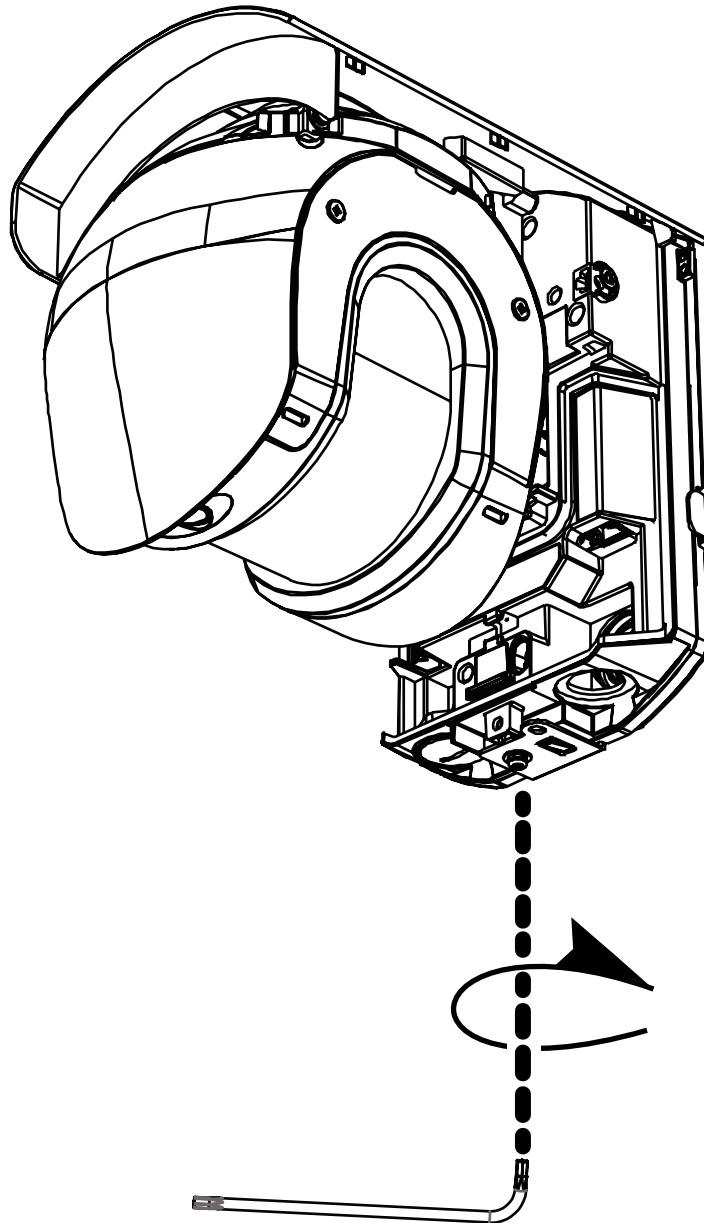
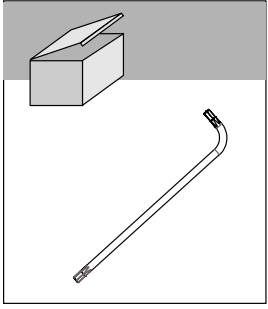
3.6

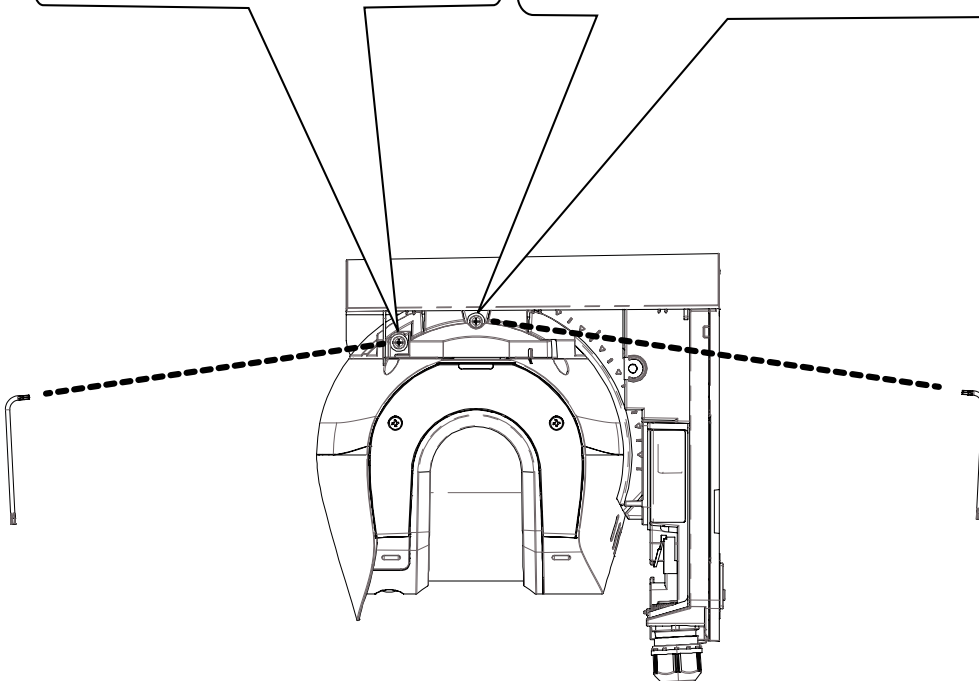
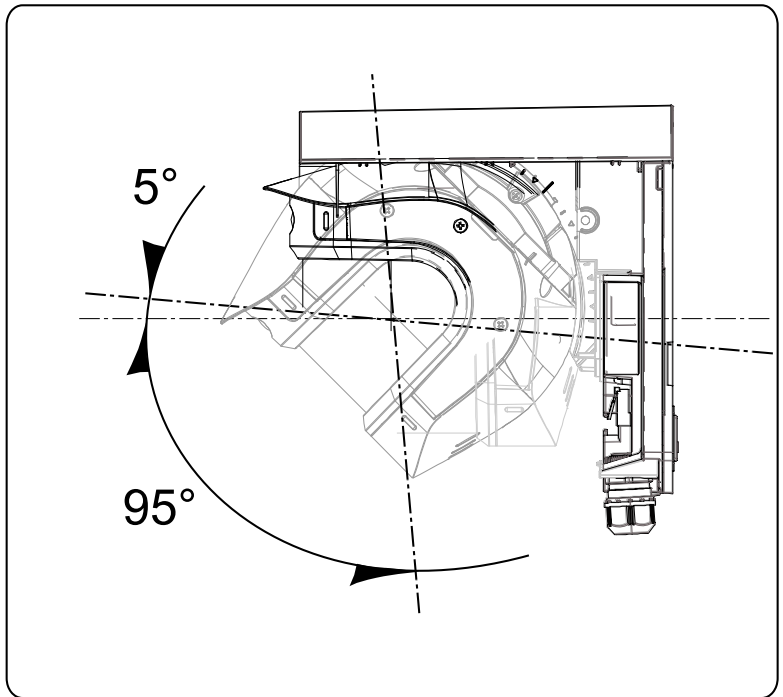
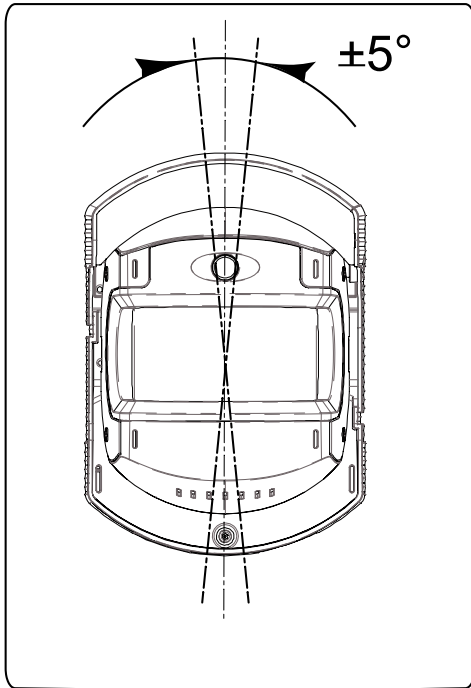
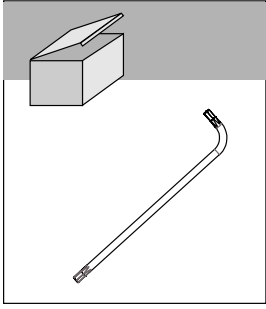


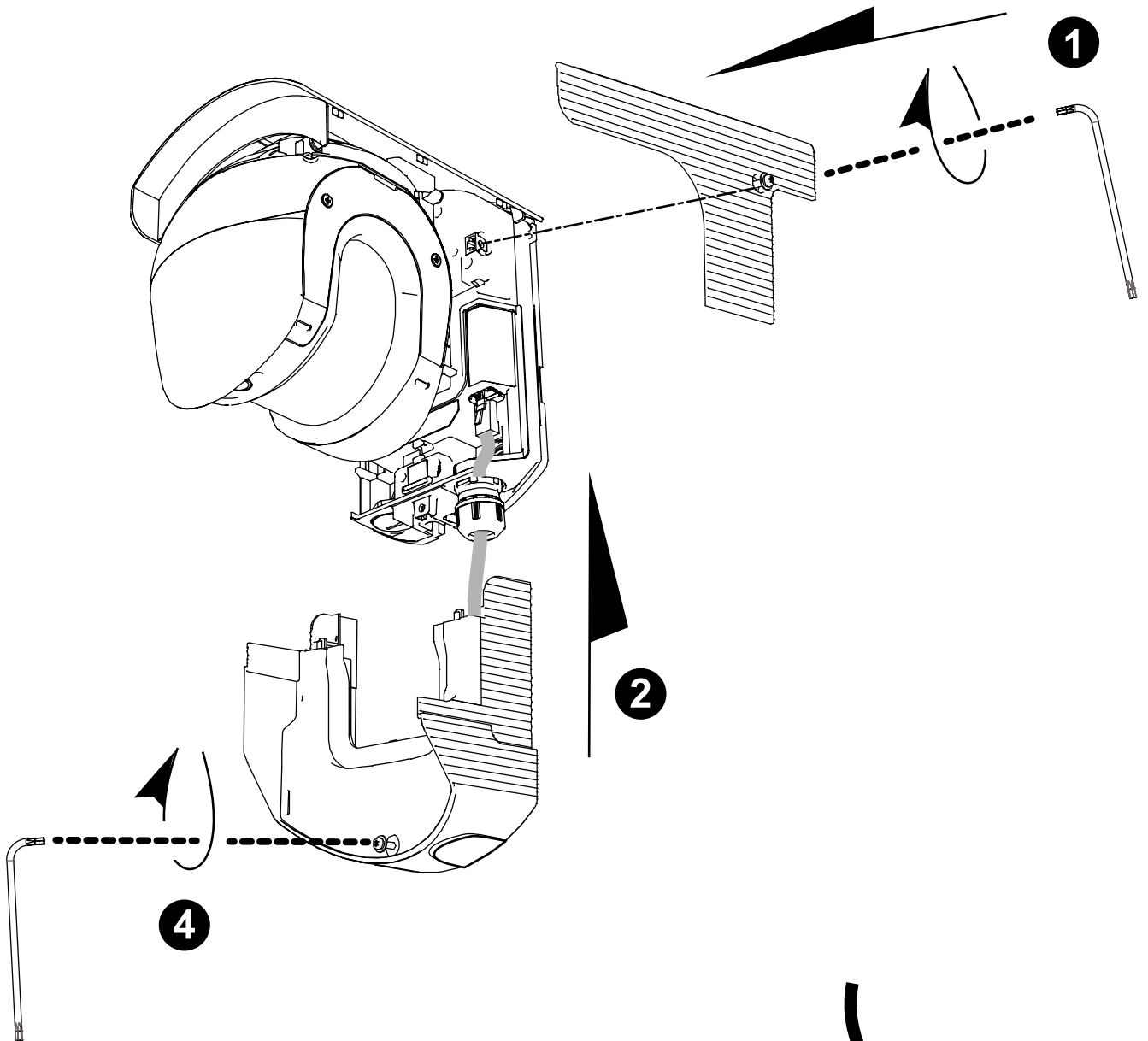
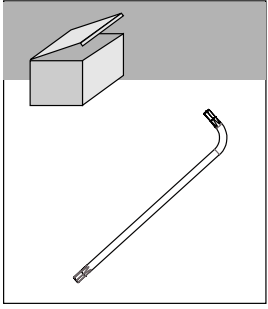




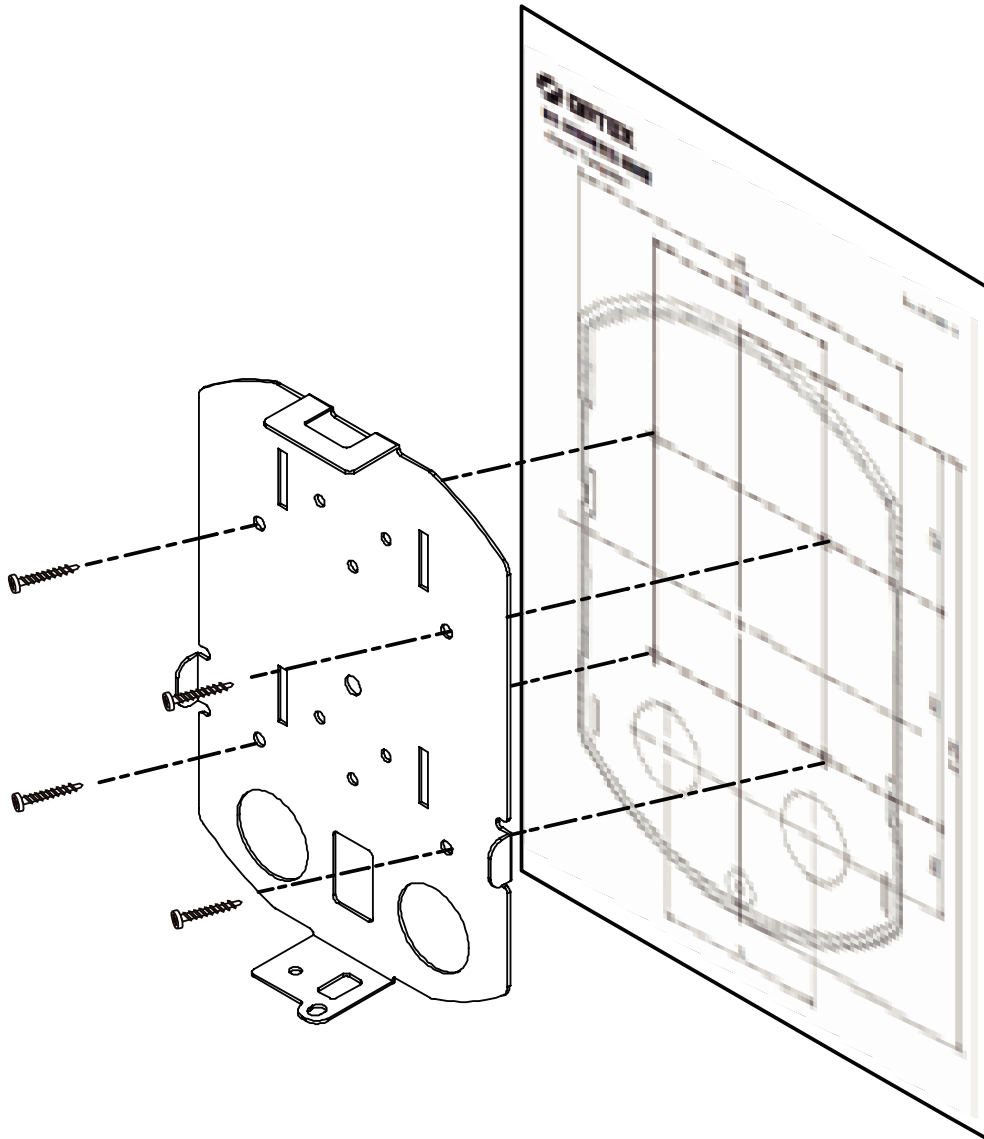
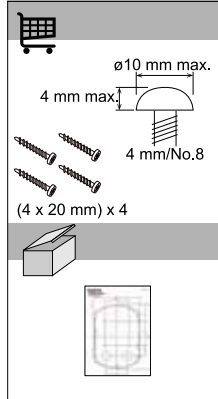
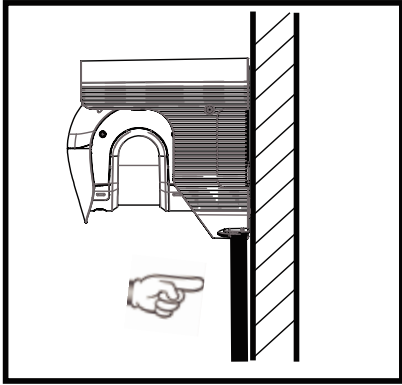


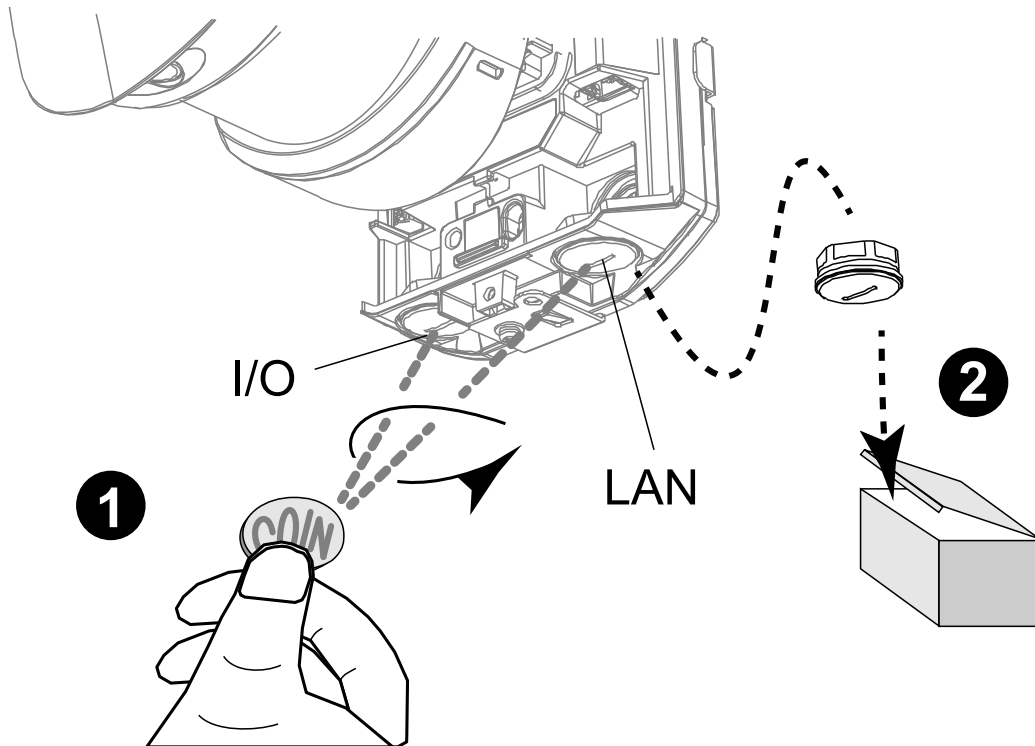
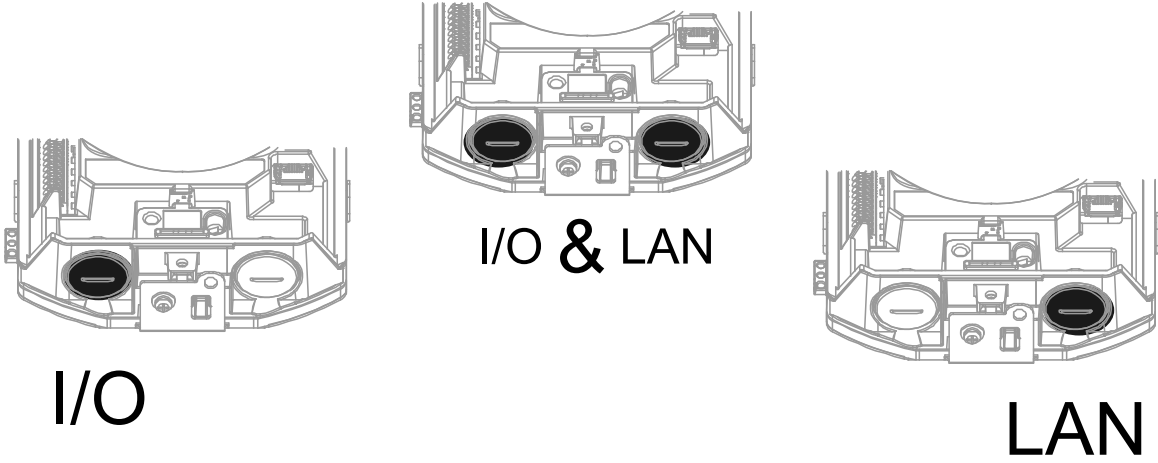


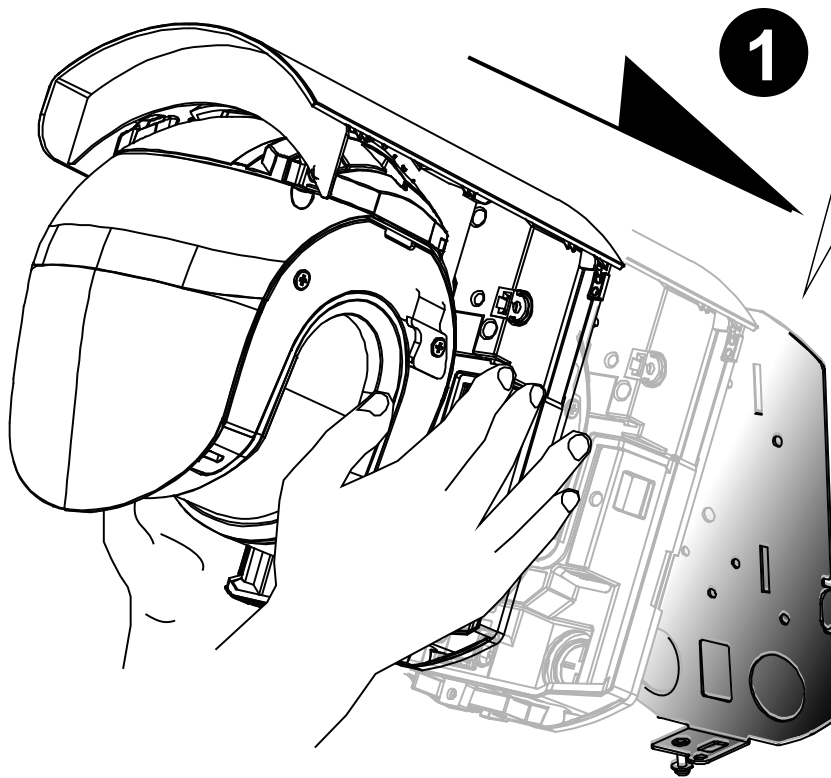
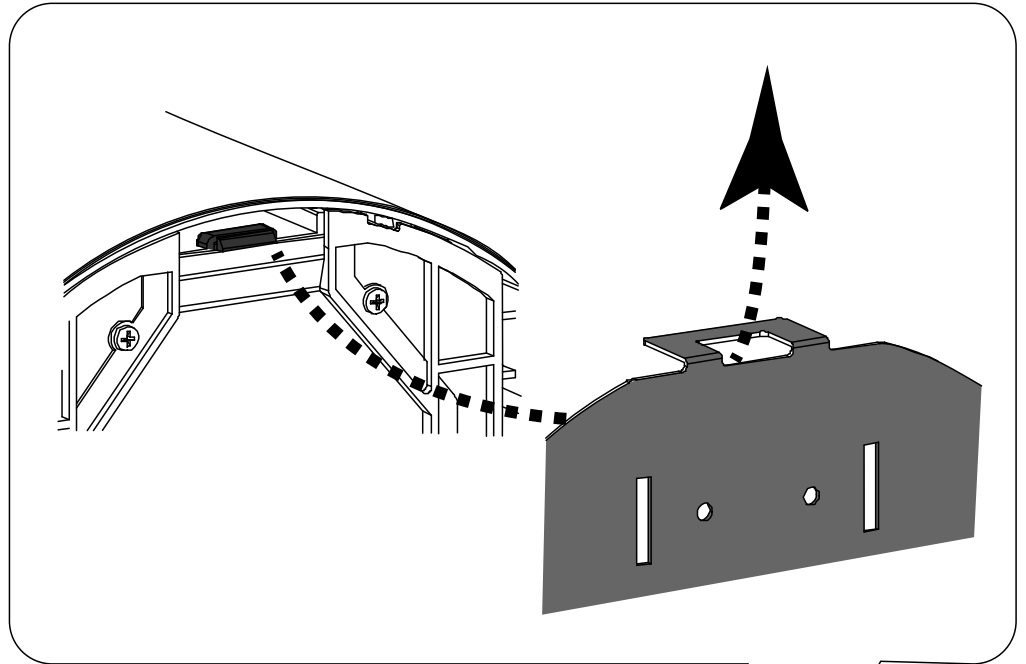


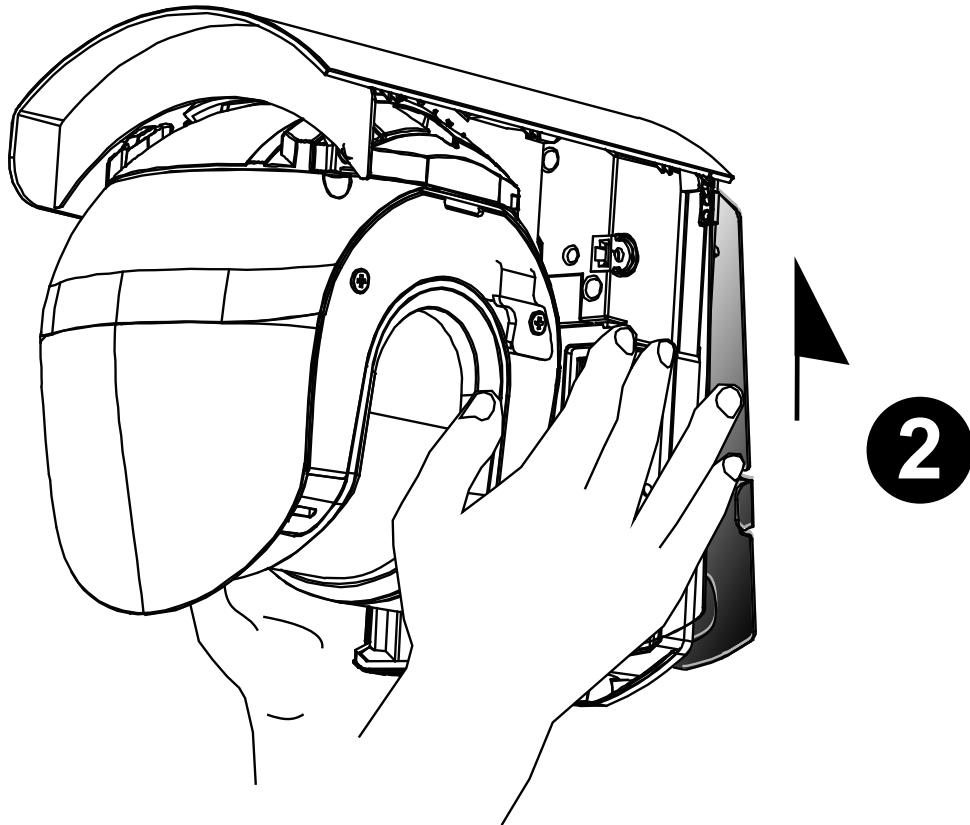


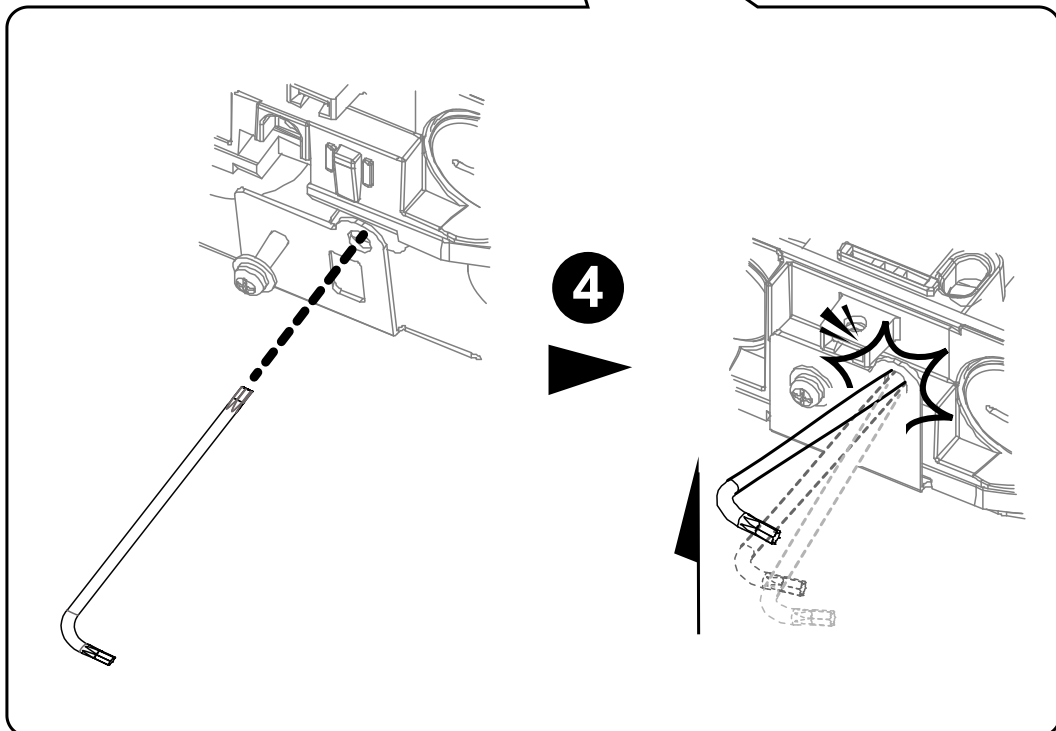
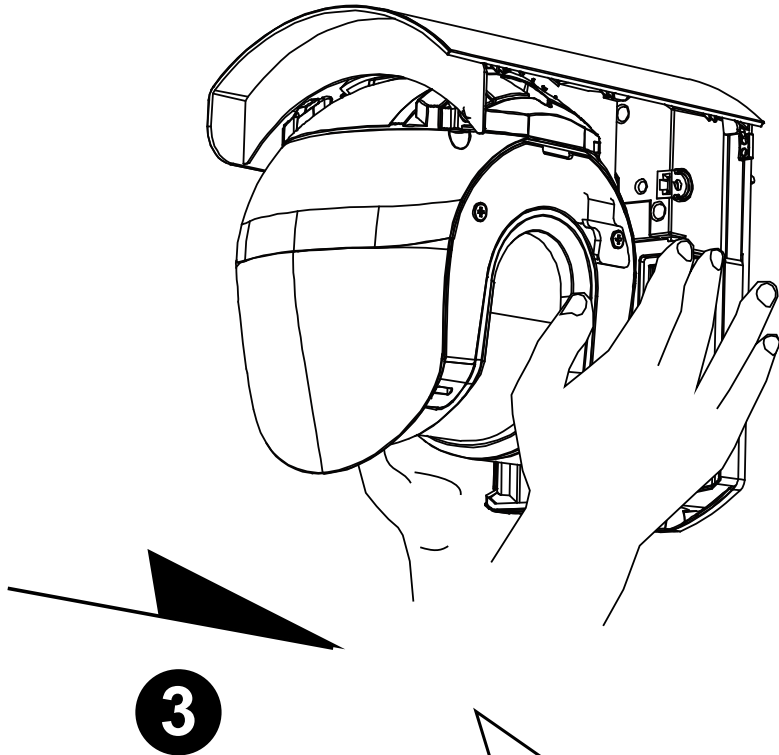
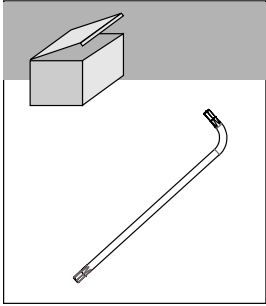
25

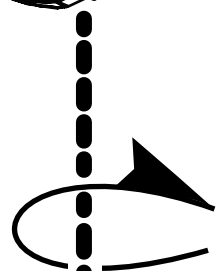
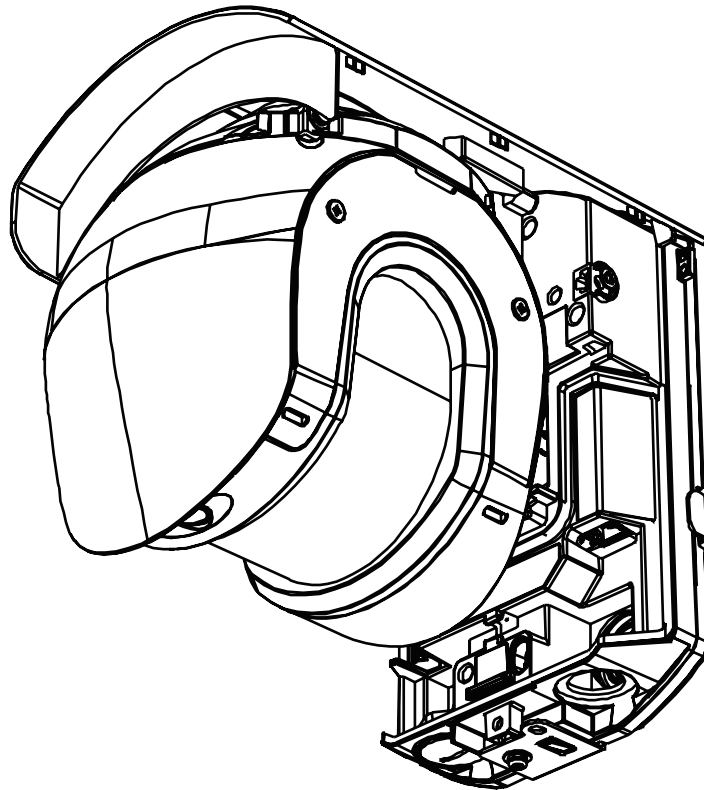
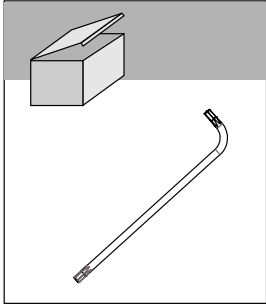





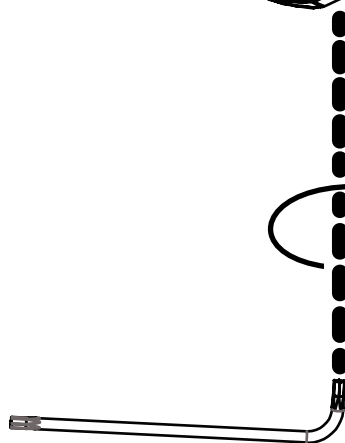


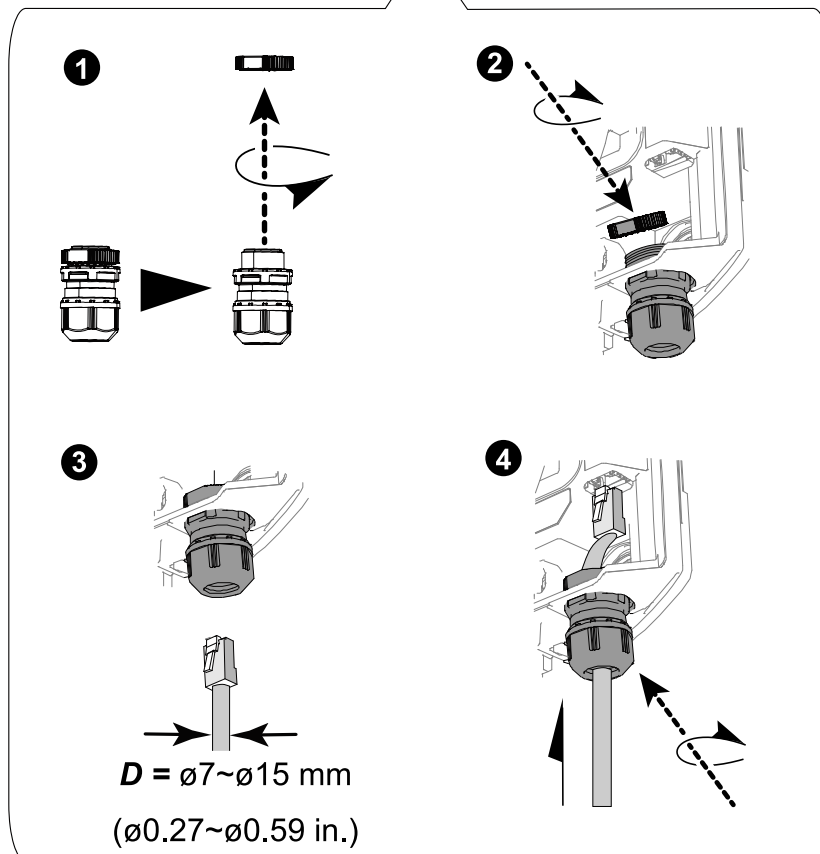
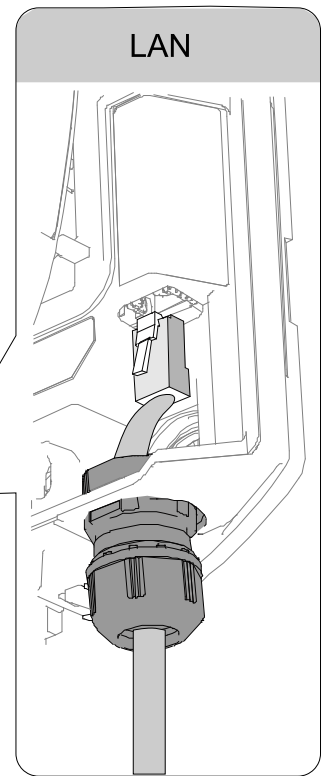
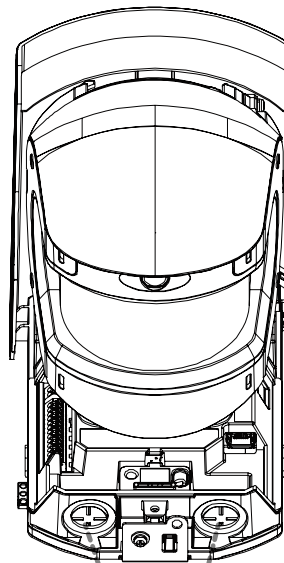
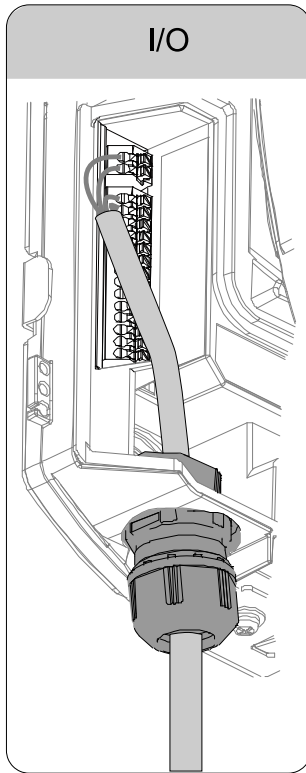
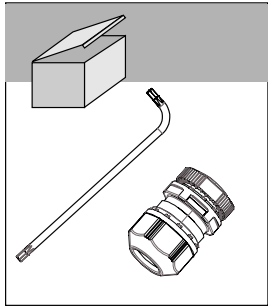


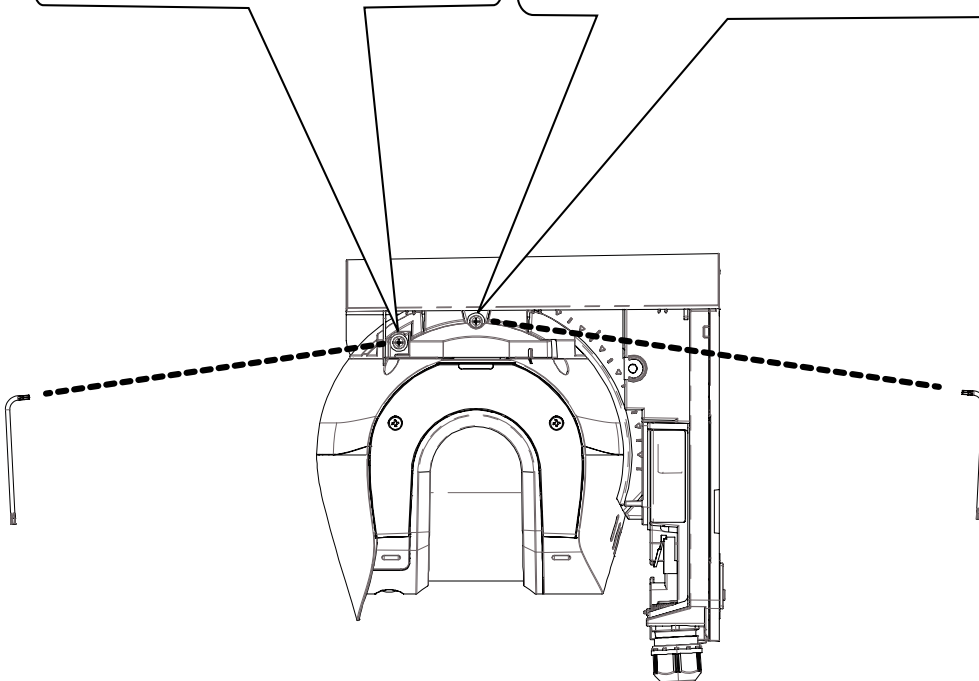
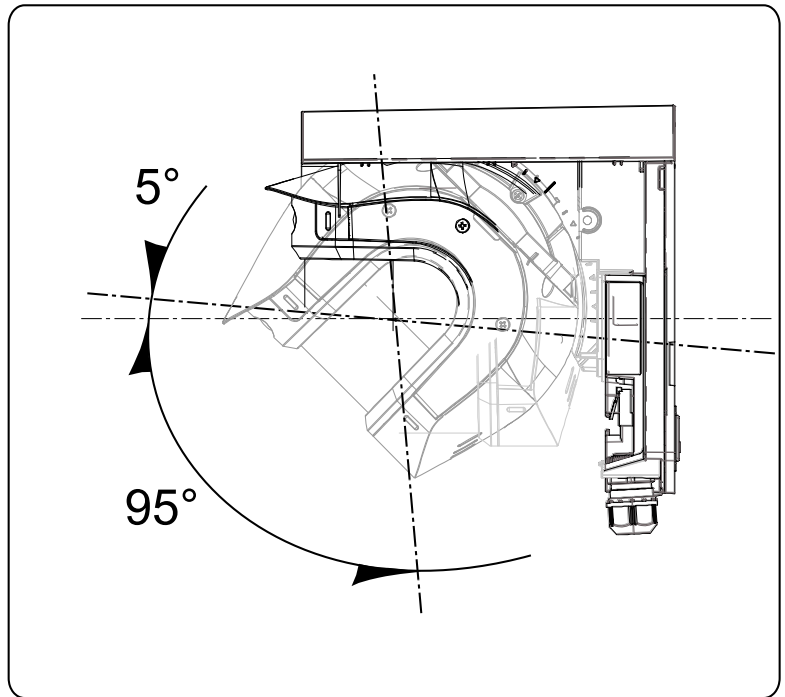
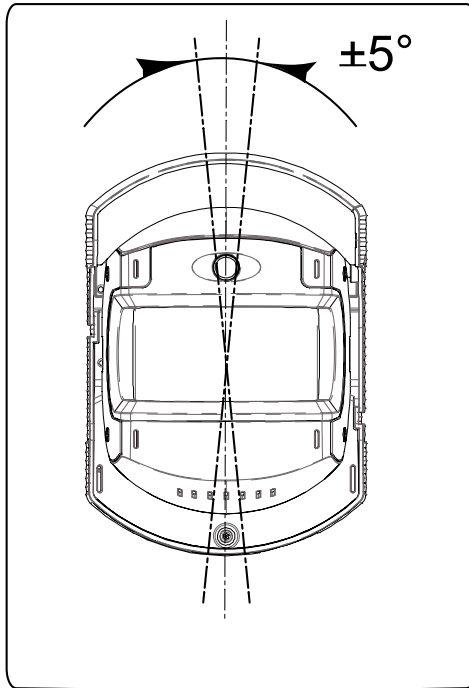
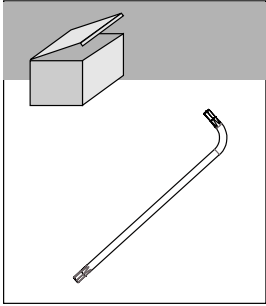


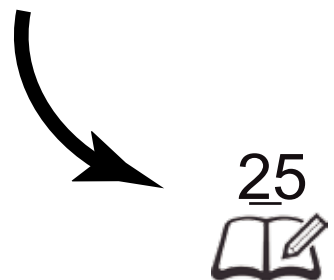
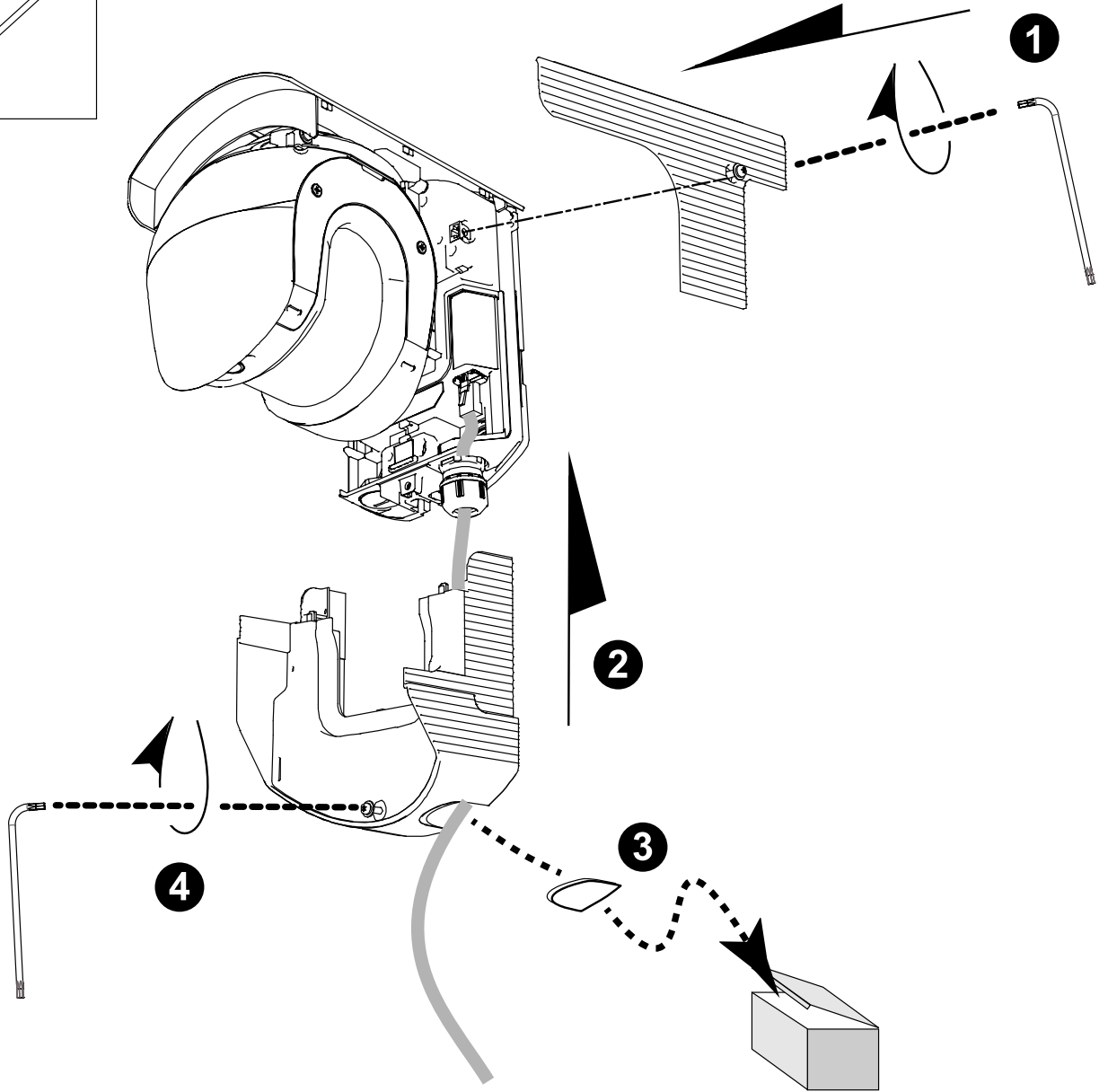
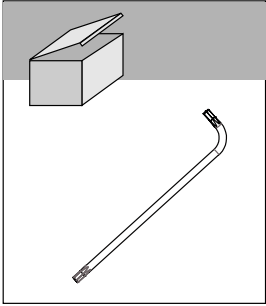


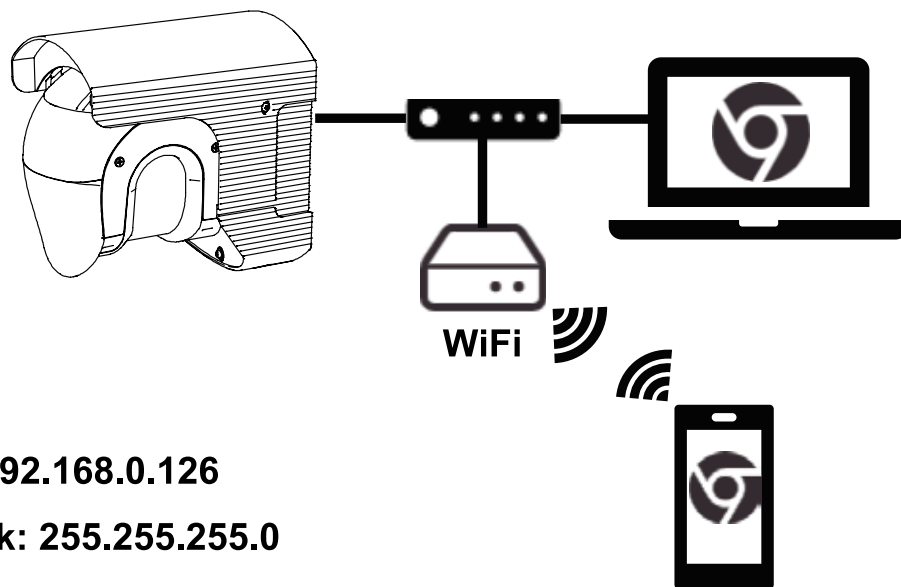
5











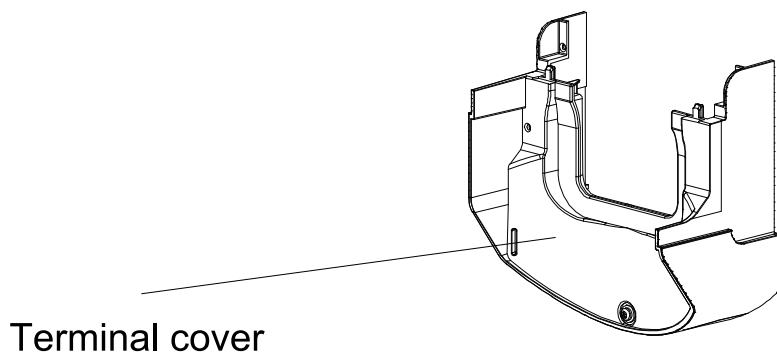
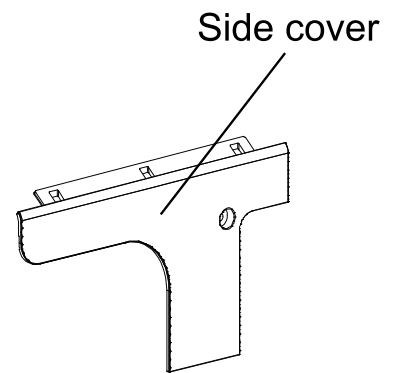
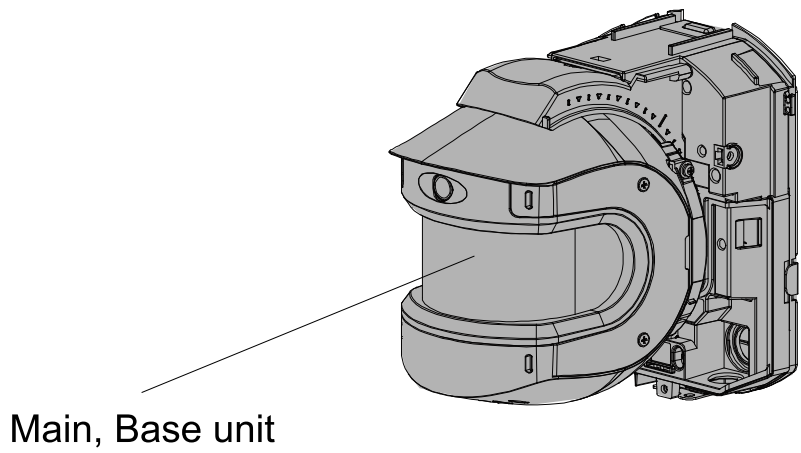
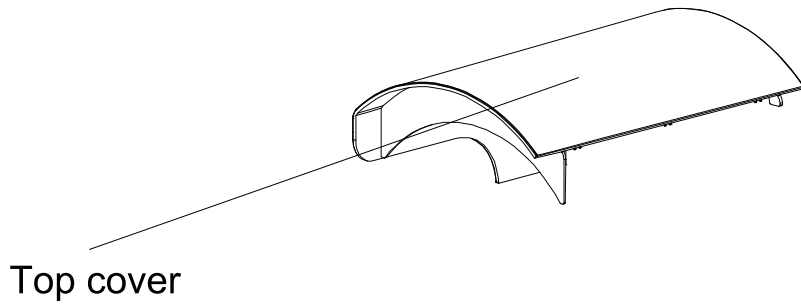
Default IP: 192.168.0.126

Subnet mask: 255.255.255.0

Default user name: root

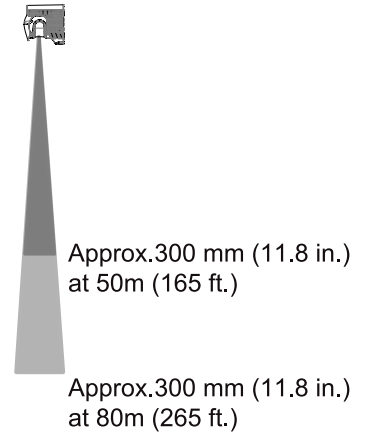
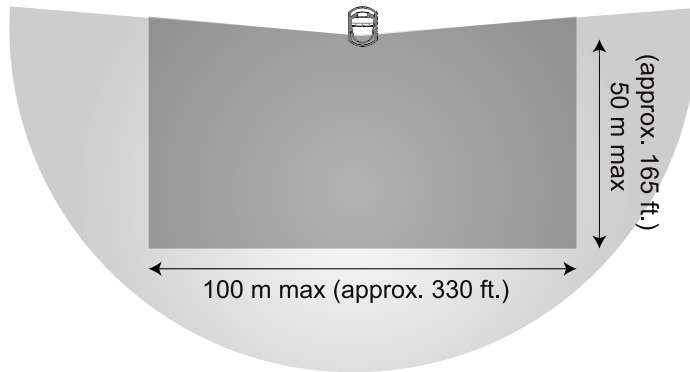
Support web browser : Chrome (running on Windows10, Mac, Android)

PARTS IDENTIFICATION



DETECTION RANGE

RLS-50100V



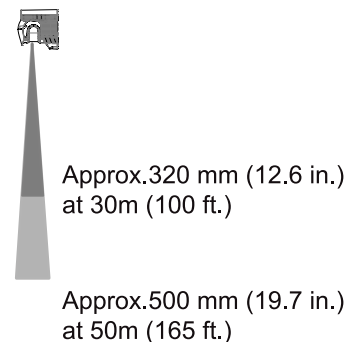
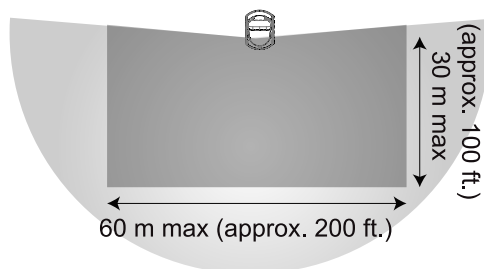
Normal detection range

50 x 100m (Approx. 165 x 330 ft), 190 degree, Square

When using "Detection range expansion" radius 80m, (Approx. 265 ft.)

190 degree, Fan-shaped area

RLS-3060V



Normal detection range

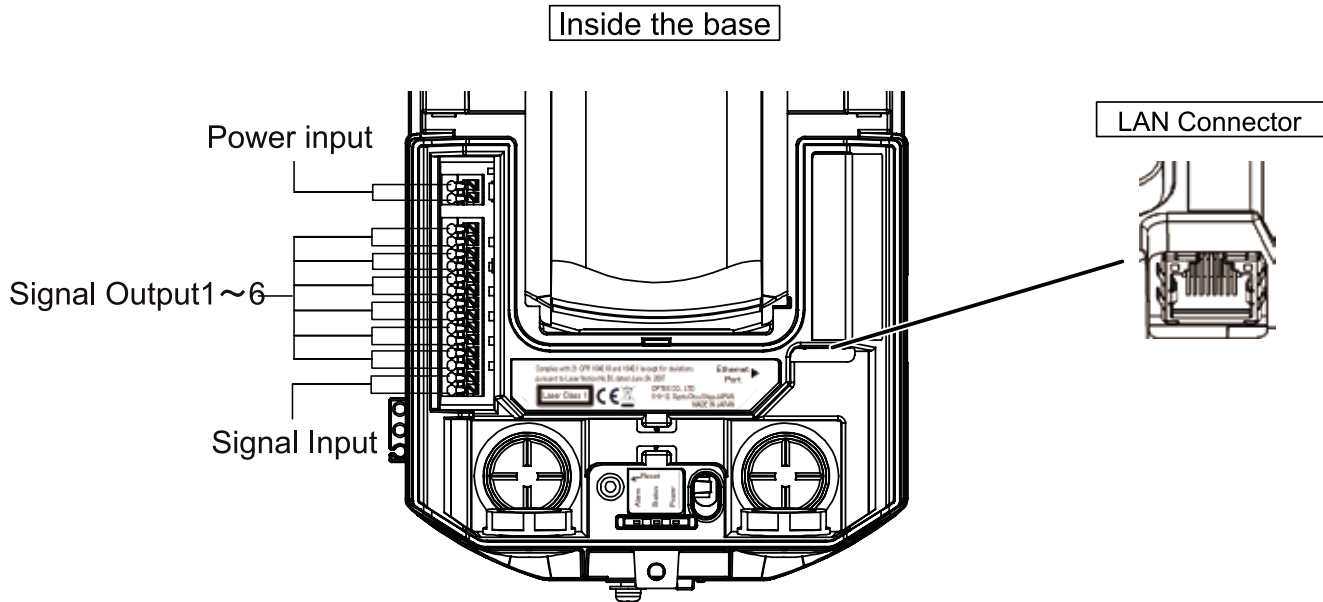
30 x 60m (Approx. 100 x 200 ft), 190 degree, Square

When using "Detection range expansion" radius 50m, (Approx. 165 ft.)

190 degree, Fan-shaped area

PARTS LAYOUT INSIDE THE COVER AND THEIR FUNCTIONS

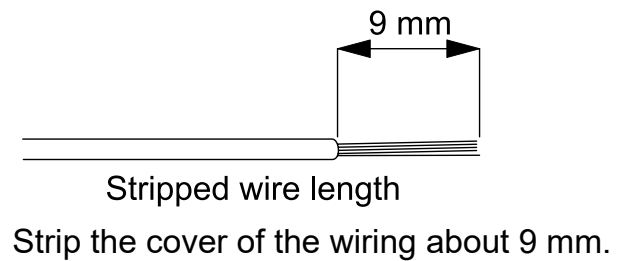
WIRING



The length of the power wire must be less than the figures listed below.

WIRE SIZE	Detector 24V DC
AWG20 (0.52 mm ²)	40 (130)
AWG18 (0.83 mm ²)	70 (230)
AWG16 (1.31 mm ²)	110 (360)

m (ft.)

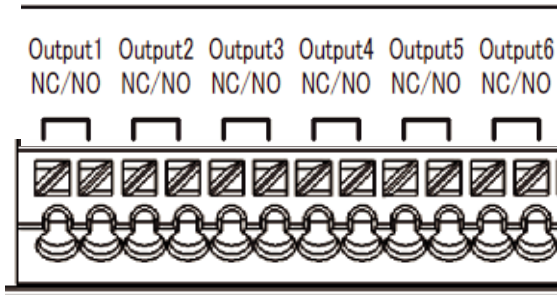


Note >>

Some PoE hubs have a limit for wattage. Connect the detectors to PoE hubs without exceeding the limit referring to the PoE hub's instructions.

PARTS LAYOUT INSIDE THE COVER AND THEIR FUNCTIONS

OUTPUT TERMINAL



The six output terminals can be configured as NO/NC. They are however fixed as open when the unit is not energized. The outputs are programmable from options below.

Alarms

- Master alarm (MO)
- Zone alarm (A1, B1)
- Zone alarm (Allocating mode) (A11, A12, A21, A22, B11, B12, B21, B22)

Troubles

- Anti-masking (AM)
- Anti-rotation (AR)
- Soiling (SO)
- Environmental disqualification (DQ)
- Device trouble (TR)
- Tamper output (TA)
- Device Monitoring(DM)

INPUT TERMINAL

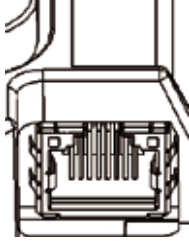


The function of the signal input can be selected from the following option.

- Detection profile switching
- Area set
- Sensor check

PARTS LAYOUT INSIDE THE COVER AND THEIR FUNCTIONS

LAN Connector (PoE)



The LAN Connector inside the base is for constant connection. PoE is supported.
Default

IP address : 192.168.0.126
Subnet mask : 255.255.255.0
Default gateway : 192.168.0.1

POWERING ON

Startup conditions

Enter the DC power to the power supply input terminal.

Or, connect PoE power supply equipment to the LAN Connector (PoE).

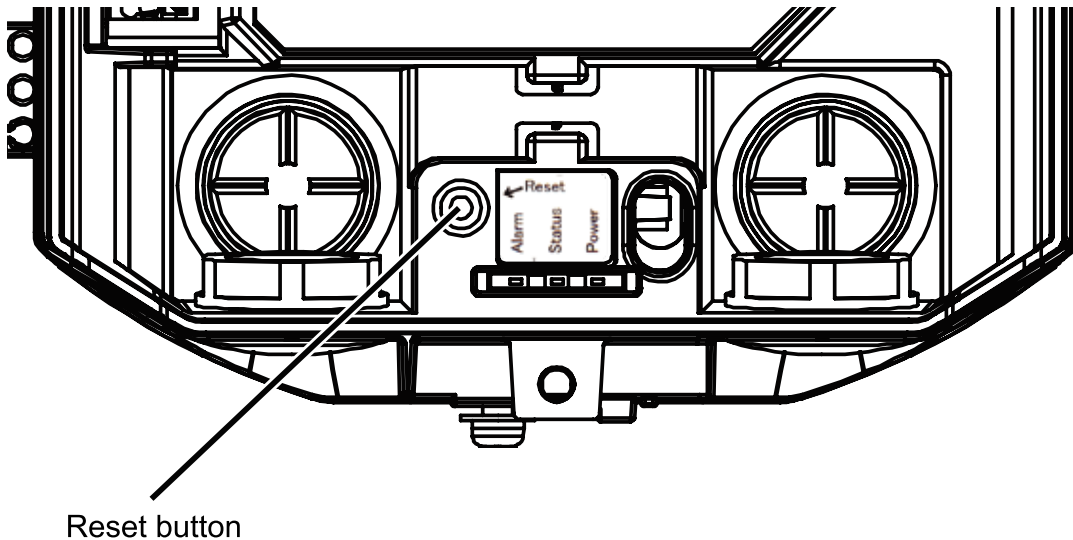
After power on, all the indicators are turned on for approx. 70 seconds and then the status and alarm indicators are turned off.

During this period, REDSCAN Pro itself performs initial settings.

PARTS LAYOUT INSIDE THE COVER AND THEIR FUNCTIONS

RESET BUTTON

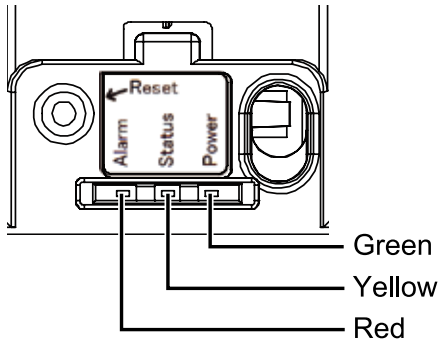
If you forget your IP address or password, you can initialize it by following the steps below.



1. Turn Off the Power supply. Remove the terminal cover.
2. Power On and pressing the reset button.
3. All LEDs brinking after 70 sec.
Then, in this status,
release the reset button.
4. REDSCAN Pro reboot itself
Attach the terminal cover and reconnect REDSCAN Pro
Please note that IP adress has initializied to the default
Default IP : 192.168.0.126

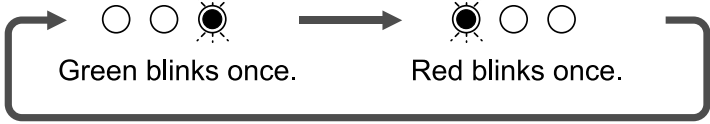

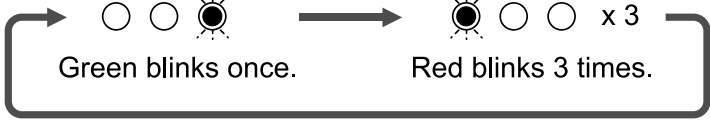
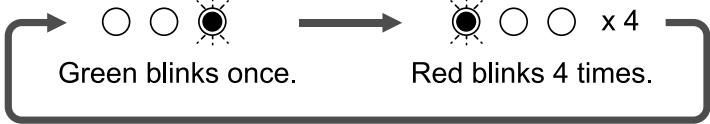
PARTS LAYOUT INSIDE THE COVER AND THEIR FUNCTIONS

LED INDICATOR



Detector condition	LED	
Warm-up (apprx. 70 s)	● ● ●	
Stand-by	○ ○ ●	
Area-setting	○ ● ●	
Alarm	● ○ ●	
Reset completed	● ● ●	
Anti-masking	* ● ○ ○	<p>Green blinks once. Yellow blinks once.</p> <p>REPEAT</p>
Anti-rotation		<p>Green blinks once. Yellow blinks twice.</p> <p>REPEAT</p>
Soiling		<p>Green blinks once. Yellow blinks 3 times.</p> <p>REPEAT</p>
Environmenatal Disqualification (DQ)		<p>Green blinks once. Yellow blinks 4 times.</p> <p>REPEAT</p>

* According to alarm status

Trouble condition	LED
Motor error	 <p style="text-align: center;">REPEAT</p>
Camera error	 <p style="text-align: center;">REPEAT</p>
Over heat	 <p style="text-align: center;">REPEAT</p>
Hardware error	 <p style="text-align: center;">REPEAT</p>

ONVIF

REDSCAN Pro series supports ONVIF and RTSP.

Client application can get video stream of embedded camera in REDSCAN Pro series.

Username and password are common to ONVIF and RTSP.

Even if ONVIF is not used, create ONVIF account by the sequence above to use RTSP authentication.

RTSP

URI of RTSP of REDSCAN Pro is `rtsp://(ip address)/stream/0`

URI of HTTP tunneling of REDSCAN Pro is `http://(ip address)/stream/0`

ONVIF

ONVIF is an open industry forum that provides and promotes standardized interfaces for effective interoperability of IP-based physical security products.

See the site below for details. Specifications are downloadable.

<https://www.onvif.org/>

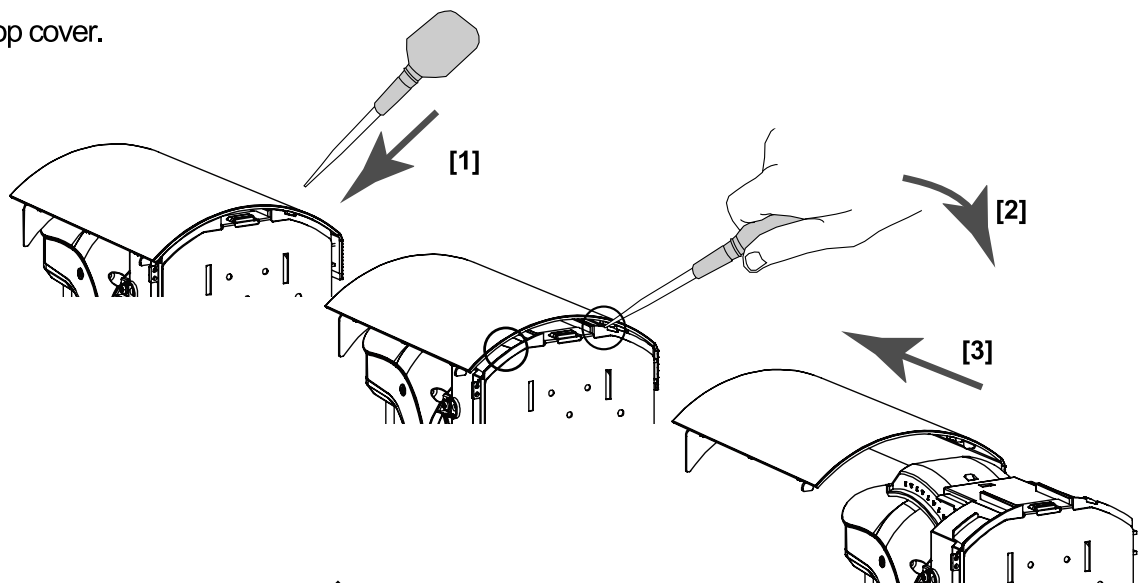
ONVIF Device manger is popular tool in the industry. It enables accessing and testing ONVIF device.

See the site below for details.

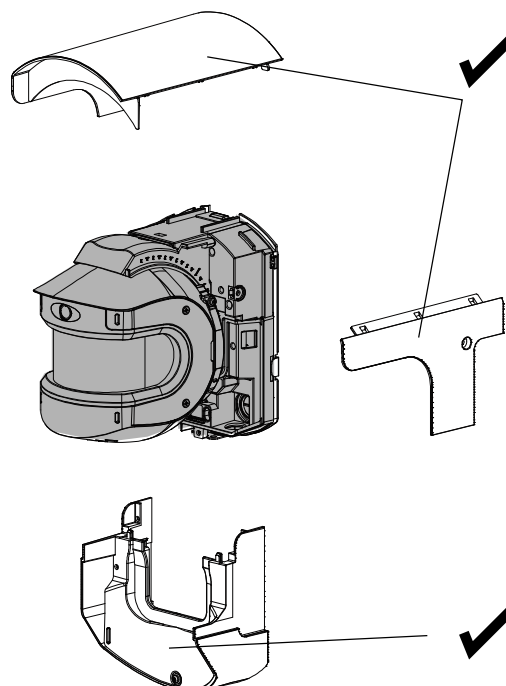
<https://sourceforge.net/projects/onvifdm/>

REPAINTING

1. Remove the side cover.
2. Remove the terminal cover.
3. Remove the top cover.



4. Paint the following parts. (refer to ✓ marks as follows)
Use the suitable paint for poly-carbonate resin.



Note >>

Do not paint the main unit, or the base unit.
Painting the RLS-50100V/3060V a dark color could raise the internal temperature and cause a malfunction.
Painting should be avoided if there is any possibility that the unit would be exposed to direct sunlight.