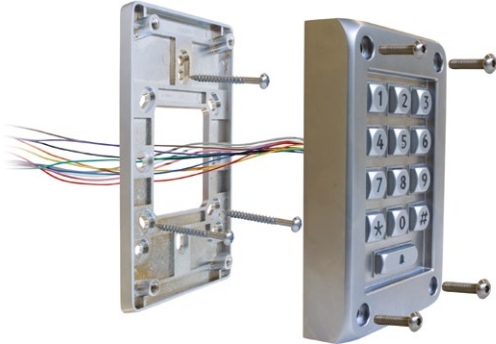




ins-30109-EX

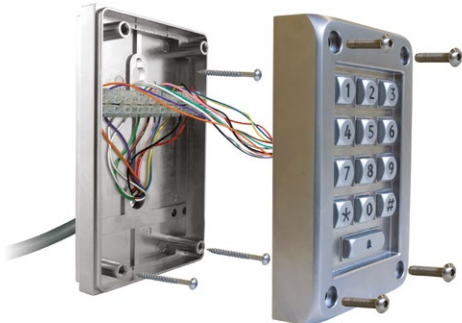


Fitting for a water resistant installation.

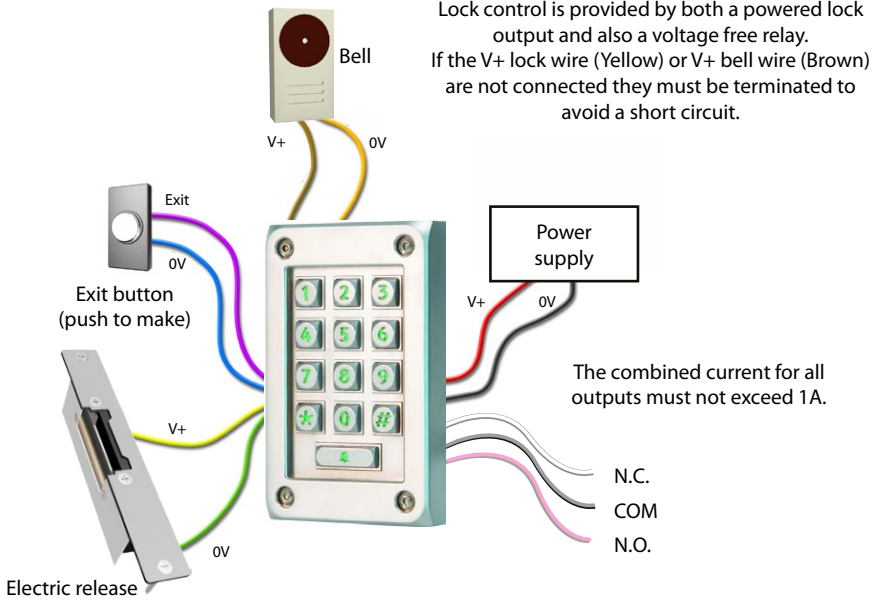


The assembly is waterproof (IPX7 rated) when used with the mounting plate and all the cable connections are made inside the building.

Fitting to existing wiring



The alternative surface box contains a terminal strip making it ideal for connection to existing wiring.



When using the relay output, it is not recommended to use the 'Lock wire setting' in the 'fail open' mode.

Initialising a new system

Choose a 6 digit Programming Code and load this into the unit as follows:

IMPORTANT: Do not set the Programming Code to 123456.
The default user code is 1234 - the programming code must not include 1234 in the same order.

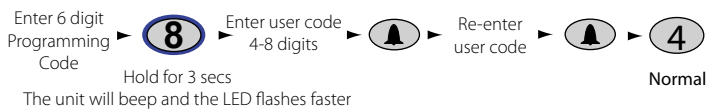
The door lock will release after 1234 and ignore any remaining numbers.



The default user code is now set to 1234

You can now set up the user codes and features using the programming chart.

Example: - Setting a user code to unlock the door under Normal conditions.

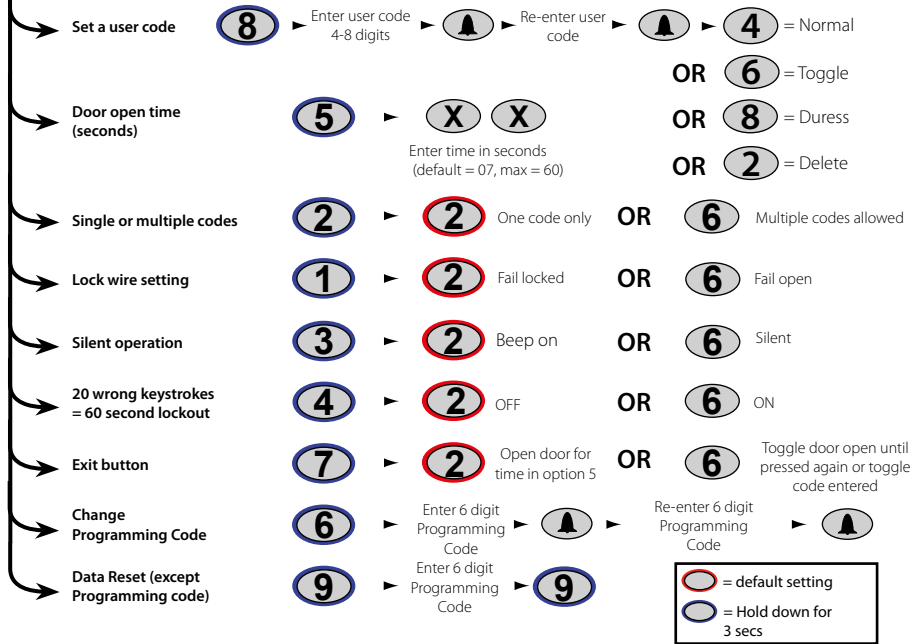


This box can be used to write down the Programming Code for future reference.
Ensure that this information is stored in a secure place.

--	--	--	--	--	--

START - Enter the **6 digit Programming Code** and hold down a function key  for **3 seconds**. - The unit beeps and the LED flashes faster.

Continue the key sequence to set the option - The keypad returns to operating mode.



Full System Reset

1. Power down the system.
2. Power the system up whilst holding down button 3.
3. The unit will beep/flash LED's 3 times a second.
4. Go to - Initialising a new system.

Technical Help

Here is the list of topics about this product that receive the most technical support enquiries. We list them here to help you speed up the installation and trouble shooting process.

1 - Can I use a fail open release (e.g. Maglock)?

By default, the compact keypad is set to operate with a fail locked release by providing a voltage across the lock wire pair when a valid entry is made. To use a fail open release, the lock wire setting needs to be changed (Program option 1).

2 - How do I integrate an entry phone system?

The output from the entry phone system is used to simulate the 'push' of an exit button for the Paxton equipment. No voltage should be directly applied to the exit wires (Blue / Mauve).

Most phone systems provide a powered output pair to drive the door lock. This voltage must be used to drive an independent relay. The relay contacts must be 'normally open going closed' to mimic a 'push to make' exit button. The voltage free relay can then be connected directly across the exit wires.

3 - What are the keypad code types used for?

Normal - Releases the door for the time period set in Option 5.

Toggle - Releases the lock until the code is entered for a second time.

Duress - Releases the lock (as in Normal) but also energizes the bell output for 30 seconds.

Delete - Used to remove a specific code that has already been entered in Multiple mode.

4 - Can I connect a compact with another Paxton control unit?

This cannot be done. Paxton Compact systems have the control electronics built in and no direct data output is provided.

The Switch2 and Net2 system use a different type of data input.

Note: The compact system is designed to control the door unit on its own.

5- Can I have read in and read out on one door with two keypad units?

You cannot wire the lock outputs from two units in parallel to a common lock as they will both power the door lock

independently and will not offer single point control. The power supply or keypads may also be damaged.

We therefore recommend using an independent power feed switched through the relay outputs (COM/N.O./N.C.) of the two units to provide the lock control required.

Specifications			
Features	Min	Max	
Number of Codes	1	50	
Code length	4 digits	8 digits	
Door open time	1 sec	60 secs	
Silent operation			Yes
Can be used with fail OPEN locks			Yes
Can be used with fail CLOSED locks			Yes
Exit button input			Yes
Door Contact input			No
Backlight			Yes
Electrical	Min	Max	
Voltage DC	9V	24V	
Voltage AC	9V	12V	
Current		150 mA	
Maximum load output current		1 A	Lock + bell
Dedicated lock output voltage			Follows supply voltage
Dedicated lock output current		1 A	
Relay switchable voltage		24V	
Relay switchable current		2 A	
Alarm/bell output voltage			Follows supply voltage
Alarm/bell output current		1 A	
Cable length			3 metres
Environment	Min	Max	
Operating temperature	-20 °C	+55 °C	Outdoor use
Waterproof	IPX7		
Dimensions	Width	Height	Depth
With mounting plate	89 mm	143 mm	28 mm
With surface mount box	89 mm	143 mm	40 mm



The declaration of conformity is available on request. Contact details are provided at: <http://paxton.info/596>

These products are not suitable for retail sale. All warranties are invalid if these products are not installed by a competent person.



<http://paxton.info/1606>



+44 (0)1273 811011
 support@paxton.co.uk
 paxton.support



877.438.7298
 supportUS@paxton-access.com
 usapaxton.support



+31 (0)76 3333 999
 support@paxton-benelux.com
 paxton.benelux.support



+32 (0) 78485147
 support@paxton-benelux.com
 paxton.benelux.support



+49 (0) 251 2080 6900
 verkauf@paxton-gmbh.de
 paxton.gmbh.support



+33 (0)1 57 32 93 56
 support@paxtonaccess.fr
 paxton.support



+27 (0) 21 4276691
 support@paxtonaccess.co.za
 paxton.support



8000 3570 3783
 support@paxtonaccess.ae
 paxton.support



+52 55 5351 3667
 soporte@paxton-access.com
 paxton.soporte



+57 1508 8198
 soporte@paxton-access.com
 paxton.soporte



+44 (0)1273 811011
 support@paxton.co.uk
 paxton.support



Made in the UK

